

PPC-F Bay Trail Fanless Series

5.7"/8"/10.4" Fanless Intel® Bay Trail Solution

Features

- 5.7", 8" and 10.4" fanless industrial panel PC
- 2.0 GHz Intel® Celeron® J1900 quad-core processor or 1.58 GHz Intel® Celeron® N2807 dual-core processor
- Low power consumption DDR3L memory supported
- IP 65 compliant front panel
- 9 V~30 V wide DC input
- mSATA SSD supported
- Dual GbE for backup
- -10°C~50°C extended operating temperature



Specifications

| Model | | PPC-F06B-BT | PPC-F08B-BT | PPC-F10B-BT |
|------------------|---------------------------------------|--|---|---|
| LCD | LCD Display | 5.7" (4:3) | 8" (4:3) | 10.4" |
| | Max. Resolution | 640 (W) x 480 (H) | 800 (W) x 600 (H) | 800 (W) x 600 (H) |
| | Brightness (cd/m²) | 550 | 500 | 400 |
| | Contrast Ratio | 800:1 | 500:1 | 700:1 |
| | LCD Color | 262K | 16.2M | 16.2M |
| | Pixel Pitch (mm) | 0.18 (H) x 0.18 (V) | 0.2025 (H) x 0.0675 (V) | 0.264 (H) x 0.264 (V) |
| | Viewing Angle (H-V) | 160° / 140° | 140° / 120° | 160° / 140° |
| | Backlight MTBF (hrs) | 50000 | 50000 | 30000 |
| Motherboard | CPU | Intel® Celeron® N2807 dual-core processor, 1.58GHz | Intel® Celeron® J1900 quad-core on-board SoC, 2GHz | |
| | RAM | 2GB DDR3L 1600MHz on-board RAM (system max. 4GB, by MOQ=300pcs) | 1 x 204-pin DDR3L SO-DIMM slots (max. 8GB) | |
| Touch | Touchscreen & Controller | 4-wire resistive type flat touch window, PenMount DMC9000 | 5-wire resistive type flat touchscreen, PenMount DMC9000 | |
| | Surface Hardness | 3H | 3H | 3H |
| Input Interfaces | I/O Ports & Switches | 2 x RJ-45 LAN port 1 x RS-232 COM port (DB-9 connector) (RI/5V/12V) 1 x RS-422/485 2 x USB 3.0 2 x USB 2.0 1 x 9 V~30 V DC lockable DC jack (2-pin) 1 x Audio port (line-out) 1 x Power switch 1 x Reset button 1 x AT/ATX switch | 1 x RS-232 COM port (RJ-45 connector) 1 x RS-232/422/485 COM port (DB-9 connector) (RI/5V/12V) 2 x USB 3.0 2 x GbE LAN 1 x Power switch 1 x Reset button 1 x AT/ATX switch 1 x Audio port (line-out) 1 x 9 V~30 V lockable power jack | 1 x RS-232 COM port (RJ-45 connector) 1 x RS-232/422/485 COM port (DB9 connector) (RI/5V/12V) 2 x USB 2.0 2 x USB 3.0 2 x GbE LAN 1 x Power switch 1 x Reset button 1 x AT/ATX switch 1 x Audio port (line-out) 1 x 9 V~30 V lockable power jack |
| | Expansion | 1 x Full-size PCIe Mini slot (mSATA/PCIe/USB signal) | 1 x Full-size PCIe Mini slot (mSATA/PCIe/USB signal) 1 x Full-size/half-size PCIe Mini slot (PCIe/USB signal) | |
| Wireless LAN | | 802.11 b/g/n (optional) | | |
| Storage | SSD | mSATA | mSATA | mSATA |
| | HDD | N/A | N/A | 1 x 2.5" HDD bay |
| Physical | Construction Material | Aluminum front bezel | | |
| | Mounting | Stand, panel mount, rack mount, VESA 75x75 | Stand, panel mount, rack mount, VESA 75x75 | Stand, panel mount, rack mount, VESA 75x75/100x100 |
| | Enclosure Color | Black C | | |
| | Dimensions (mm) | 136.4 x 178.5 x 56.3 | 182.2 x 222.2 x 44 | 232.4 x 285.2 x 44 |
| | Net Weight | 0.89 kg | 1.17 kg | 1.77 kg |
| | Cut-out Dimensions (mm) | 157.5 x 115.4 | 207 x 154 | 267.2 x 214.4 |
| Environment | Operating Temperature (with air flow) | -10°C~50°C (14°F~122°F) | | |
| | Storage Temperature | -20°C~60°C (-4°F~140°F) | | |
| | Humidity | 10% to 95% (non-condensing) | | |
| | IP Level | IP 65 compliant front panel | | |
| | Safety and EMC | CE & FCC Class A certified | | |
| Power | Power Adapter | P/N: 63040-010036-121-RS 36W Power Adapter Input: 90 - 264V AC, 50/60Hz Output: 12V DC | | |
| | Power Requirement | 9 - 30V DC | | |
| | Power Consumption | 24W | 28W | 34W |

Ordering Information

| Part Number | Description |
|-------------------------|--|
| PPC-F06B-BT-N1/2G/R-R10 | 5.7" 450 cd/m ² VGA panel PC with Intel® Celeron® processor N2807, TDP 4.3W, 2GB on-board DDR3L RAM, black color, 9-30V DC input, resistive touch window, R10 |
| PPC-F08B-BT-J1/2G/R-R10 | 8" 500 cd/m ² SVGA panel PC with Intel® Celeron® processor J1900, TDP 10W, 2GB DDR3L RAM, black color, 9-30V DC input, resistive touch window, R10 |
| PPC-F10B-BT-J1/2G/R-R10 | 10.4" 400 cd/m ² SVGA panel PC with Intel® Celeron® processor J1900, TDP 10W, 2GB DDR3L RAM, black color, 9-30V DC input, resistive touch window, R10 |

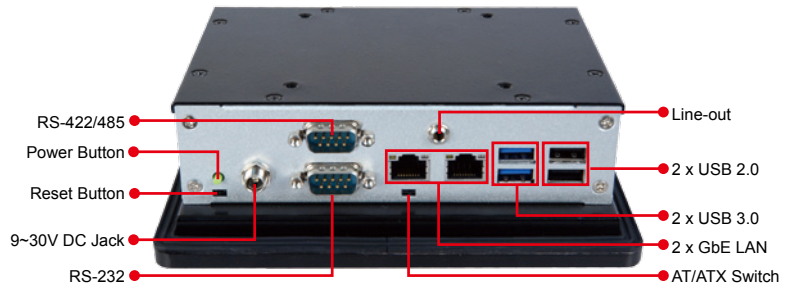
Options

| Item | PPC-F06B | PPC-F08B | PPC-F10B |
|-----------------|---------------------------|--|--|
| Arm | ARM-11-RS | ARM-11-RS | ARM-11-RS |
| Stand | STAND-100-RS STAND-B08 | STAND-100-RS STAND-B08 STAND-C12-R10 | STAND-100-RS STAND-B08 STAND-C12-R10 |
| Wall Mount Kit | AFLWK-12 | AFLWK-12 | AFLWK-12 |
| Panel Mount Kit | FPK-07-R10 | FPK-07-R10 | FPK-09-R10 |
| Wi-Fi Kit | PPC-WL-KIT02-R11 | | |

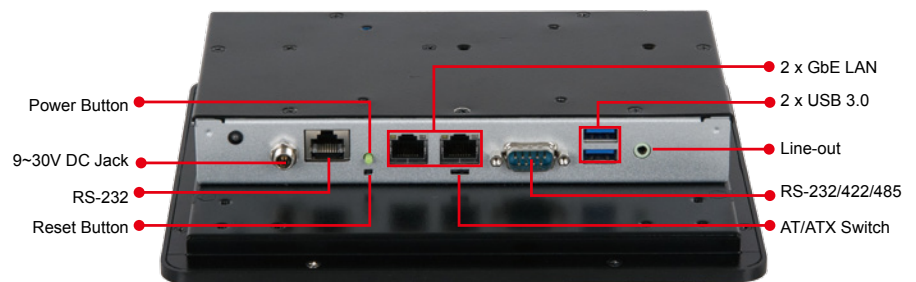
Packing List

| Item | Q'ty | Remark |
|-------------------------|------|---|
| PPC-FxxB-BTi Panel PC | 1 | |
| User Manual & Driver CD | 1 | |
| One Key Recovery CD | 1 | |
| Touch Pen | 1 | Resistive type models only P/N: 43125-0002C0-00-RS |
| Power Cord | 1 | Part numbers vary by regions |
| Screw Pack | 1 | Including necessary screws |
| Power Adapter | 1 | 9V~30V DC P/N: 63040-010036-121-RS |

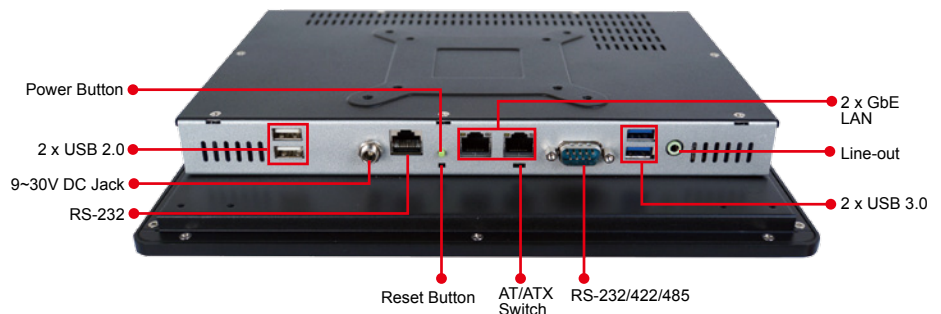
PPC-F06B Fully Integrated I/O

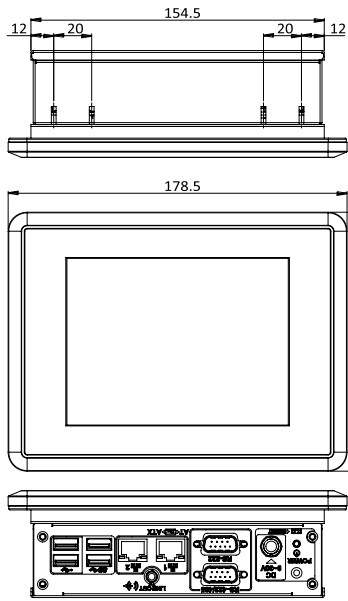


PPC-F08B Fully Integrated I/O

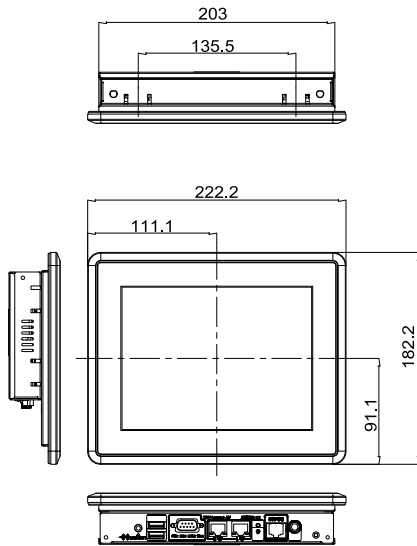
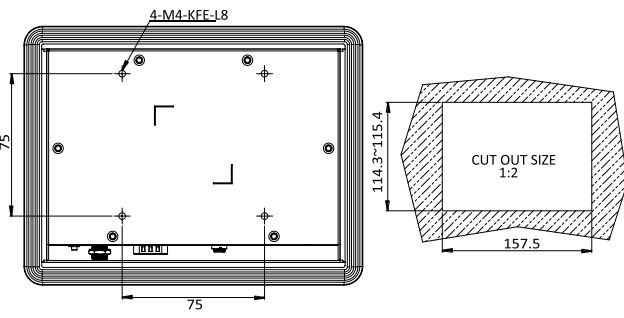


PPC-F10B Fully Integrated I/O

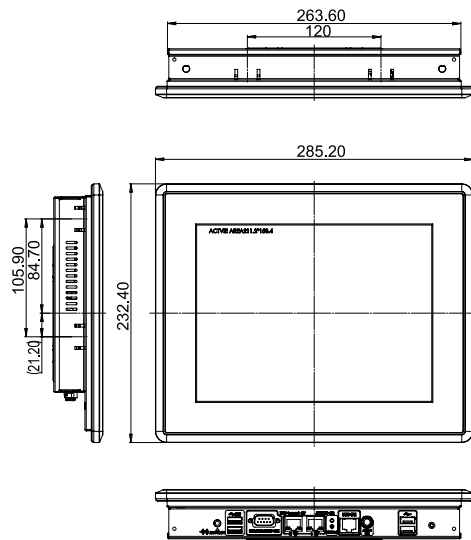
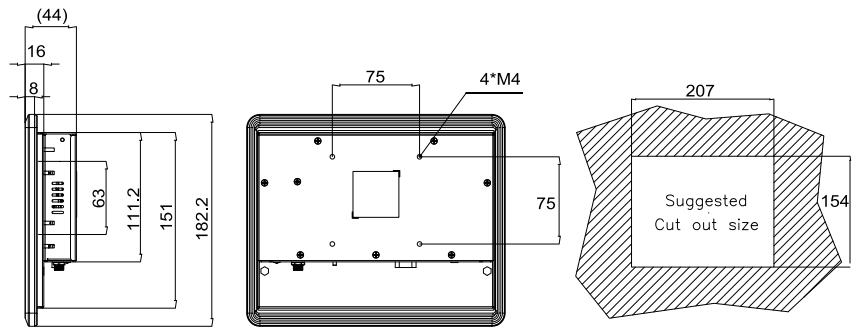




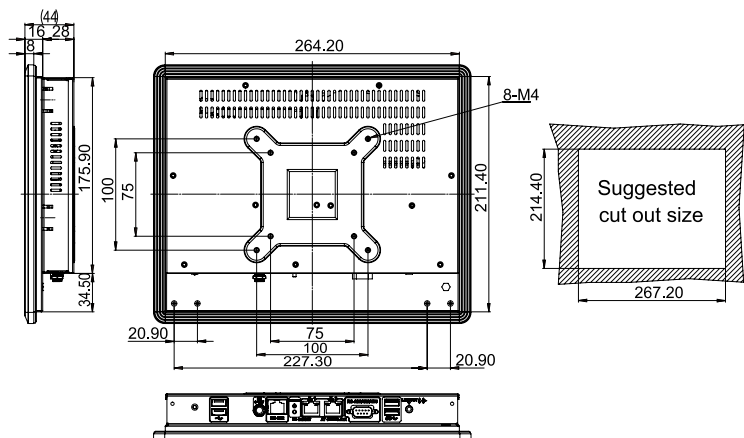
PPC-F06B-BT
Dimensions (Unit: mm)



PPC-F08B-BT
Dimensions (Unit: mm)



PPC-F10B-BT
Dimensions (Unit: mm)



PPC-F Bay Trail Fanless Series

12"/15"/17"/19" Fanless Intel® Bay Trail Solution

Features

- Support IEI iRIS-2400 remote intelligent solution
- Intel® Celeron® J1900 quad-core SoC
- Robust IP65 aluminum front bezel
- Aesthetic ultra-thin bezel for seamless panel mount installation
- Projected capacitive multi-touch and resistive single touch options
- Dual full-size PCIe Mini card expansion
- 9V~36V DC wide range DC input



Specifications

New

| Model | | PPC-F12B-BT | PPC-F15B-BT | PPC-F17B-BT | PPC-F19B-BT |
|----------------------------|---------------------------------------|---|--------------------|----------------------|-----------------------|
| LCD | LCD Display | 12.1" (4:3) | 15" (4:3) | 17" (5:4) | 19" (5:4) |
| | Max. Resolution | 1024 (W) x 768 (H) | 1024 (W) x 768 (H) | 1280 (W) x 1024 (H) | 1280 (W) x 1024 (H) |
| | Brightness (cd/m ²) | 600 | 450 | 350 | 350 |
| | Contrast Ratio | 700 : 1 | 800 : 1 | 800 : 1 | 1000 : 1 |
| | LCD Color | 16.2M | 16.2M | 16.7M | 16.7M |
| | Pixel Pitch (mm) | 0.24 x 0.24 | 0.297 x 0.297 | 0.26 x 0.26 | 0.294 x 0.294 |
| | Viewing Angle (H-V) | 160° / 140° | 160° / 150° | 170° / 160° | 170° / 160° |
| Backlight MTBF (hrs) | 50000 | 70000 | 50000 | 50000 | |
| Motherboard | CPU | Intel® Celeron® processor J1900 (2M cache, up to 2.42 GHz) | | | |
| | RAM | 2 x 204-pin DDR3L SO-DIMM slot (max. 8GB), pre-installed with 2GB | | | |
| Touch | Touchscreen & Controller | 5-wire resistive type single touch window (Penmount 9000), 3H 2-point projected capacitive touch window (EETI EXC7200), 6H | | | |
| Input Interfaces | I/O Ports & Switches | 2 x RJ-45 LAN port 2 x USB 3.0 2 x USB 2.0 1 x HDMI 2 x RS-232 1 x RS-232/422/485 1 x VGA 1 x 9 V~36 V DC jack (4-pin) 1 x 9 V~36 V DC terminal block 1 x Line-out (PPC-F15B & PPC-F17B & PPC-F19B only) 1 x Power switch | | | |
| | Expansion | 1 x Full-size PCIe Mini slot (mSATA/PCIe/USB signal) 1 x Full-size/half-size PCIe Mini slot (PCIe/USB signal) | | | |
| Wireless LAN | | 802.11 b/g/n (optional) | | | |
| Drive Bay | | 1 x 2.5" HDD/SSD drive bay | | | |
| Remote Management Solution | | iRIS-2400, QTS-Gateway | | | |
| Physical | Construction Material | Aluminum front panel and sheet metal rear cover | | | |
| | Mounting | Panel mount, rack mount, VESA 100x100 | | | |
| | Enclosure Color | Black C | | | |
| | Dimensions (mm) (W x L x D) | 262.2 x 322.2 x 47.2 | 303 x 378.5 x 46.2 | 341.4 x 408.4 x 51.8 | 372.4 x 447.4 x 52.87 |
| | Weight (Net) | 3.2 kg | 4.1 kg | 5 kg | 6.5 kg |
| | Cutout Dimensions (mm) | 244.8 x 304.8 | 285.6 x 361 | 323 x 390 | 355 x 430 |
| Environment | Operating Temperature (with air flow) | -10°C~50°C (14°F~122°F) | | | |
| | Storage Temperature | -20°C~60°C (-4°F~140°F) | | | |
| | Humidity | 10% to 95% (non-condensing) | | | |
| | IP Level | IP 65 compliant front panel | | | |
| | Safety and EMC | CE & FCC Class A certified | | | |
| Power | Power Adapter | P/N: 63040-010060-110-RS 60W Power Adapter Input: 90 - 264V AC, 50/60Hz Output: 12V DC | | | |
| | Power Requirement | 9 V~36 V DC | | | |
| | Power Consumption | 40W | 41W | 42W | 33W |

Ordering Information

| Part Number | Description |
|---------------------------|--|
| PPC-F12B-BTi-J1/2G/R-R10 | 12" 600 cd/m ² XGA panel PC with Intel® Celeron® processor J1900, TDP 10W, one 2 GB RAM, supports iRIS-2400, black color, 9-36V DC input, resistive touch window, R10 |
| PPC-F12B-BTi-J1/2G/PC-R10 | 12" 600 cd/m ² XGA panel PC with Intel® Celeron® processor J1900, TDP 10W, one 2 GB RAM, supports iRIS-2400, black color, 9-36V DC input, projected capacitive touch window, R10 |
| PPC-F15B-BTi-J1/2G/R-R20 | 15" 450 cd/m ² XGA panel PC with Intel® Celeron® processor J1900, TDP 10W, one 2 GB RAM, supports iRIS-2400, black color, 9-36V DC input, resistive touch window, R20 |
| PPC-F15B-BTi-J1/2G/PC-R20 | 15" 450 cd/m ² XGA panel PC with Intel® Celeron® processor J1900, TDP 10W, one 2 GB RAM, supports iRIS-2400, black color, 9-36V DC input, projected capacitive touch window, R20 |
| PPC-F17B-BTi-J1/2G/R-R10 | 17" 350 cd/m ² SXGA panel PC with Intel® Celeron® processor J1900, TDP 10W, one 2 GB RAM, supports iRIS-2400, black color, 9-36V DC input, resistive touch window, R10 |
| PPC-F17B-BTi-J1/2G/PC-R10 | 17" 350 cd/m ² SXGA panel PC with Intel® Celeron® processor J1900, TDP 10W, one 2 GB RAM, supports iRIS-2400, black color, 9-36V DC input, projected capacitive touch window, R10 |
| PPC-F19B-BTi-J1/2G/R-R10 | 19" 350 cd/m ² SXGA panel PC with Intel® Celeron® Processor J1900, TDP 10W, one 2GB RAM, support iRIS-2400, black color, 9-36V DC input, resistive touch window, R10 |
| PPC-F19B-BTi-J1/2G/PC-R10 | 19" 350 cd/m ² SXGA panel PC with Intel® Celeron® Processor J1900, TDP 10W, one 2GB RAM, support iRIS-2400, black color, 9-36V DC input, projected capacitive touch window, R10 |



QTS-Gateway

| Part Number | Description |
|------------------------------|---|
| PPC-F19B-BT-QGW-J1/4G/PC-R10 | 19" 350 cd/m ² SXGA Panel PC with IntelR CeleronR Processor J1900, TDP 10W, 2GB RAM*2, black color, with QTS-Gateway, 9-36V DC input, projected capacitive touch window, R10 |
| PPC-F12B-BT-QGW-J1/4G/PC-R10 | 12" 600 cd/m ² XGA Panel PC with IntelR CeleronR Processor J1900, TDP 10W, 2GB RAM*2, black color, with QTS-Gateway, 9-36V DC input, projected capacitive touch window, R10 |
| PPC-F15B-BT-QGW-J1/4G/PC-R10 | 15" 400 cd/m ² XGA Panel PC with IntelR CeleronR Processor J1900, TDP 10W, 2GB RAM*2, black color, with QTS-Gateway, 9-36V DC input, projected capacitive touch window, R10 |
| PPC-F17B-BT-QGW-J1/4G/PC-R10 | 17" 350 cd/m ² SXGA Panel PC with IntelR CeleronR Processor J1900, TDP 10W, 2GB RAM*2, black color, with QTS-Gateway, 9-36V DC input, projected capacitive touch window, R10 |

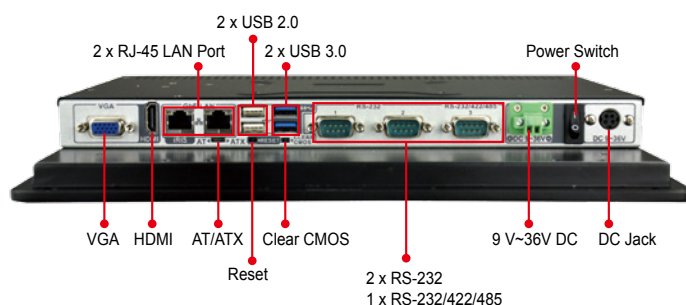
Packing List

| Item | Q'ty | Remark |
|-------------------------|------|---|
| PPC-FxxB-BTi Panel PC | 1 | |
| User Manual & Driver CD | 1 | |
| One Key Recovery CD | 1 | |
| Touch Pen | 1 | Resistive type models only P/N: 43125-0002C0-00-RS |
| Power Cord | 1 | Part numbers vary by regions |
| Screw Pack | 1 | Including necessary screws |
| Power Adapter | 1 | 9V~36V DC P/N: 63040-010060-110-RS |

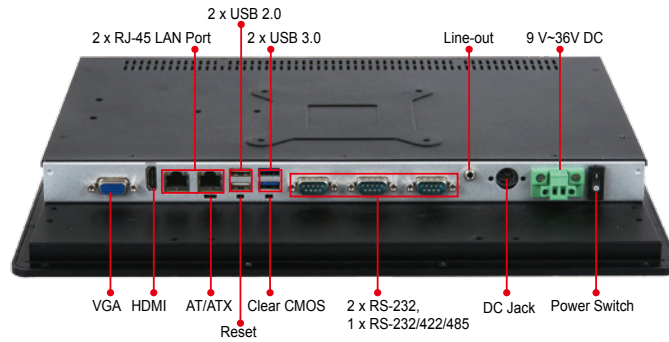
Options

| Item | PPC-F12B | PPC-F15B | PPC-F17B | PPC-F19B |
|--|-------------------------------|-------------------------------|-------------------------------|-------------------------------|
| Arm | ARM-31-RS | | | |
| Stand | STAND-C12-R10 STAND-A12-RS | STAND-C19-R10 STAND-A19-RS | STAND-C19-R10 STAND-A19-RS | STAND-C19-R10 STAND-A19-RS |
| Wall Mount Kit | WK-190MS-R10 | | | |
| Panel Mount Kit | FPK-09-R10 | FPK-10-R10 | FPK-10-R10 | FPK-11-R10 |
| Rack Mount Kit | FRK12-R10 | FRK15-R10 | FRK17-R10 | FRK-19P-R10 |
| Wi-Fi Kit | PPC-WL-KIT02-R11 | PPC-WL-KIT03-R11 | PPC-WL-KIT03-R11 | PPC-WL-KIT03-R11 |
| iRIS (IEI Remote Intelligent System) Kit | iRIS-2400-RS | | | |

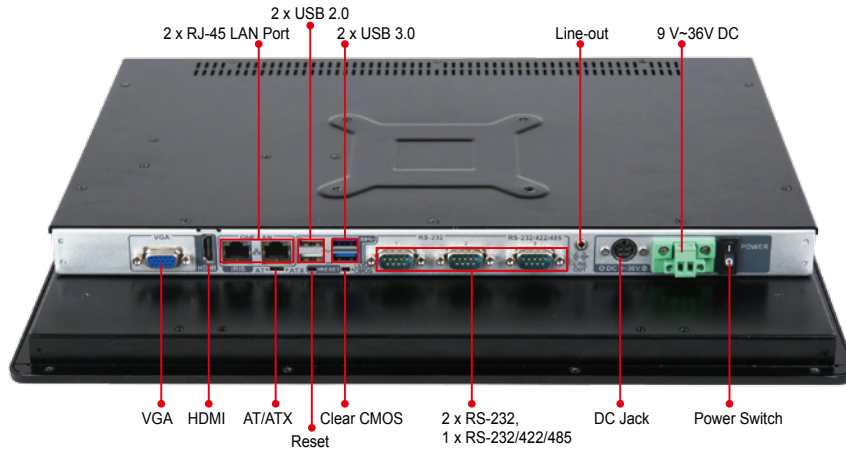
PPC-F12B Fully Integrated I/O



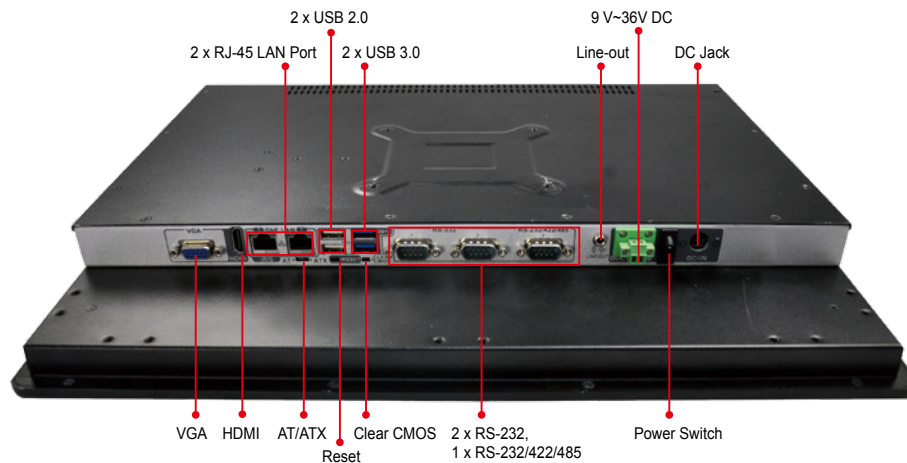
PPC-F15B
Fully Integrated I/O



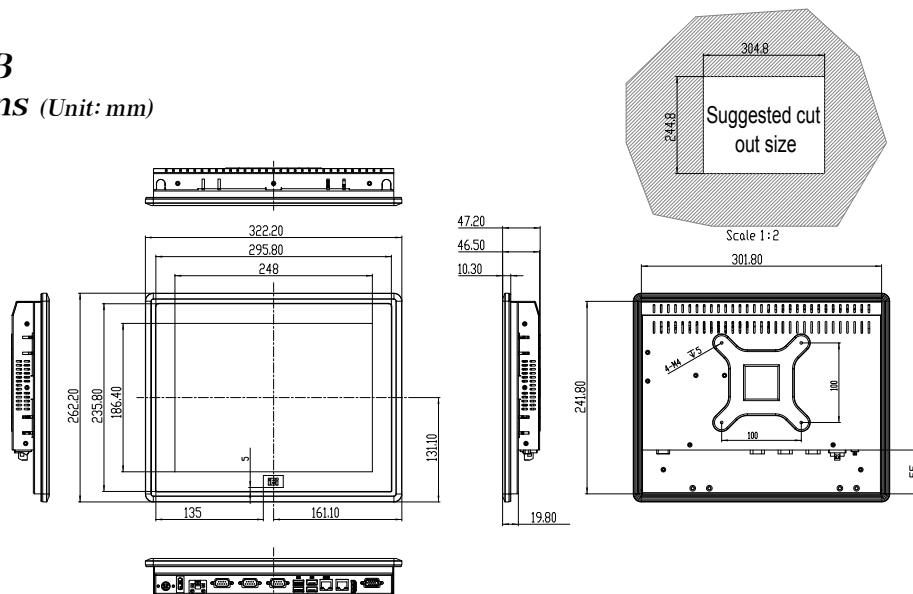
PPC-F17B
Fully Integrated I/O



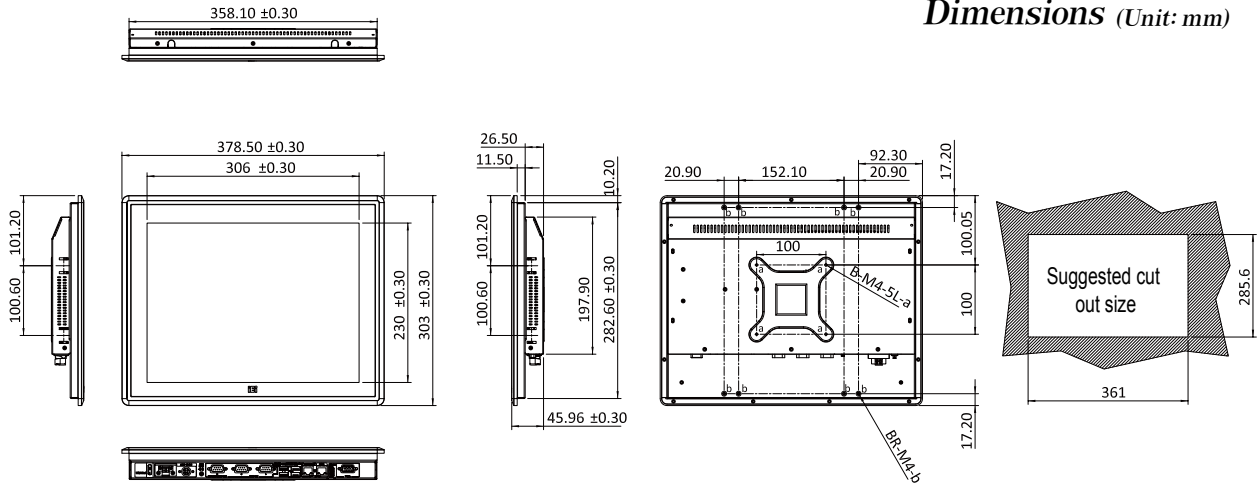
PPC-F19B
Fully Integrated I/O



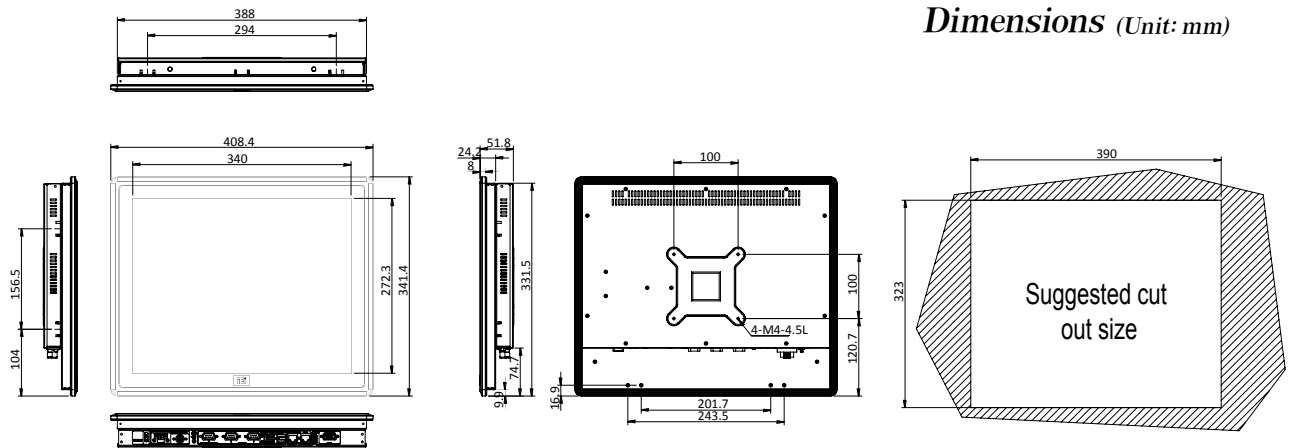
PPC-F12B
Dimensions (Unit: mm)



PPC-F15B
Dimensions (Unit: mm)



PPC-F17B
Dimensions (Unit: mm)



PPC-F19B
Dimensions (Unit: mm)

