

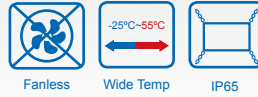
Rugged Display

G-WIN®

Model: R10L600-VMP1

Product Features:

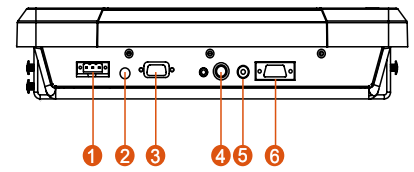
- High Quality 10.4" SVGA Panel, 800x600 resolution
- 5 Wire resistive touch screen / IR Touch
- -25 ~ +55°C Wide Range Operating Temperature
- Anti-Corrosion housing with Fanless Design
- IP65 Dust & Waterproof Protection (Except I/O ports)
- 9V ~ 36V DC Isolation Wide Range Power Input
- Compliance With EN50155



Product Specifications:

Display	Size	10.4"
	Resolution (pixels)	800 x 600
	Number of Colors	262,144 (6bits/color)
	Brightness (cd/m ²)	600 (typ.)
	Contrast Ratio	400 :1 (typ.)
	Viewing Angle	-70~70 (H) ; -70~60 (V)
	Touch (optional)	5 Wire Resistive / IR Touch
Input /Output	1 x 9~36V DC Terminal Block (Default)	
	1 x DC Lockable Input (Optional)	
	1 x RS-232 or USB for Touch (Optional)	
	1 x S-Video (Optional)	
	1 x Composite (Optional)	
	1 x VGA	
Environment	Operating Temperature	-25 ~ 55°C
	Storage Temperature	-30 ~ 70°C
	Humidity	10 ~ 95% non-condensing
	Shock	Compliance with MIL810F/EN50155
	Vibration	Compliance with MIL810F/EN50155
	EMC	CE, FCC ClassB
	Safety	Compliance with EN50155, MIL-STD 810F
Mechanical	Dimension(W x H x D)	315.9 x 250.9 x 67mm
Packing List	R5W AD Board User's Manual Touch's Driver CD	
Product Optional Items	Mounting Bracket and Kits	One robust bracket with locking handle (can adjust from -5deg. to 90deg.)
	Video Input	Composite Video, S-Video for optional
	Anti-reflective Glass	3 mm (Replace touch)

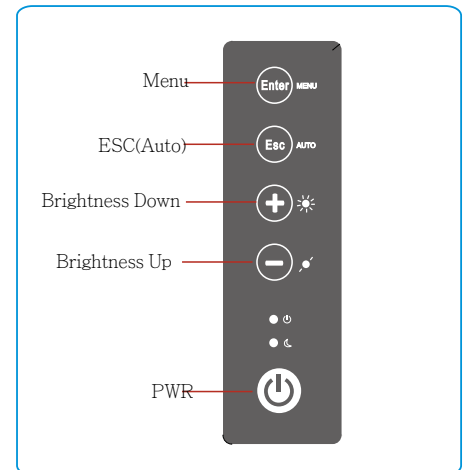
I / O View:



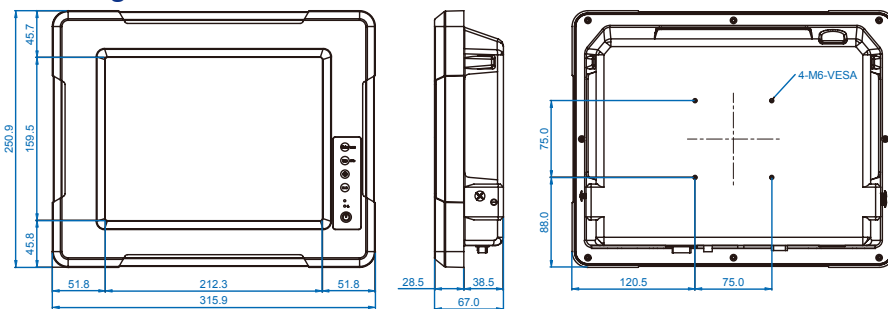
BOTTOM VIEW

1. 9~36V DC Terminal Block (Default)
2. DC Lockable Input (Optional)
3. RS-232 or USB for Touch (Optional)
4. S-Video (Optional)
5. Composite (Optional)
6. VGA

Front OSD Control Function:



Drawing:

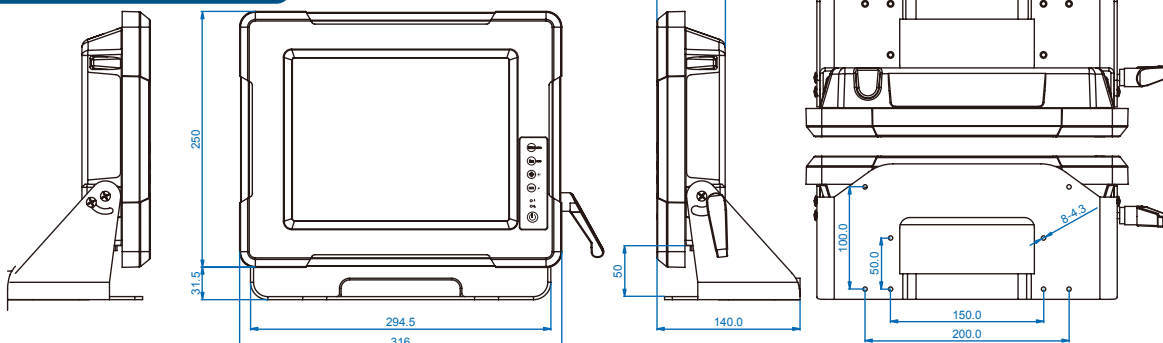


FRONT VIEW

SIDE VIEW

VIEW

Drawing w / Mounting Bracket



SIDE VIEW

FRONT VIEW

SIDE VIEW

REAR VIEW