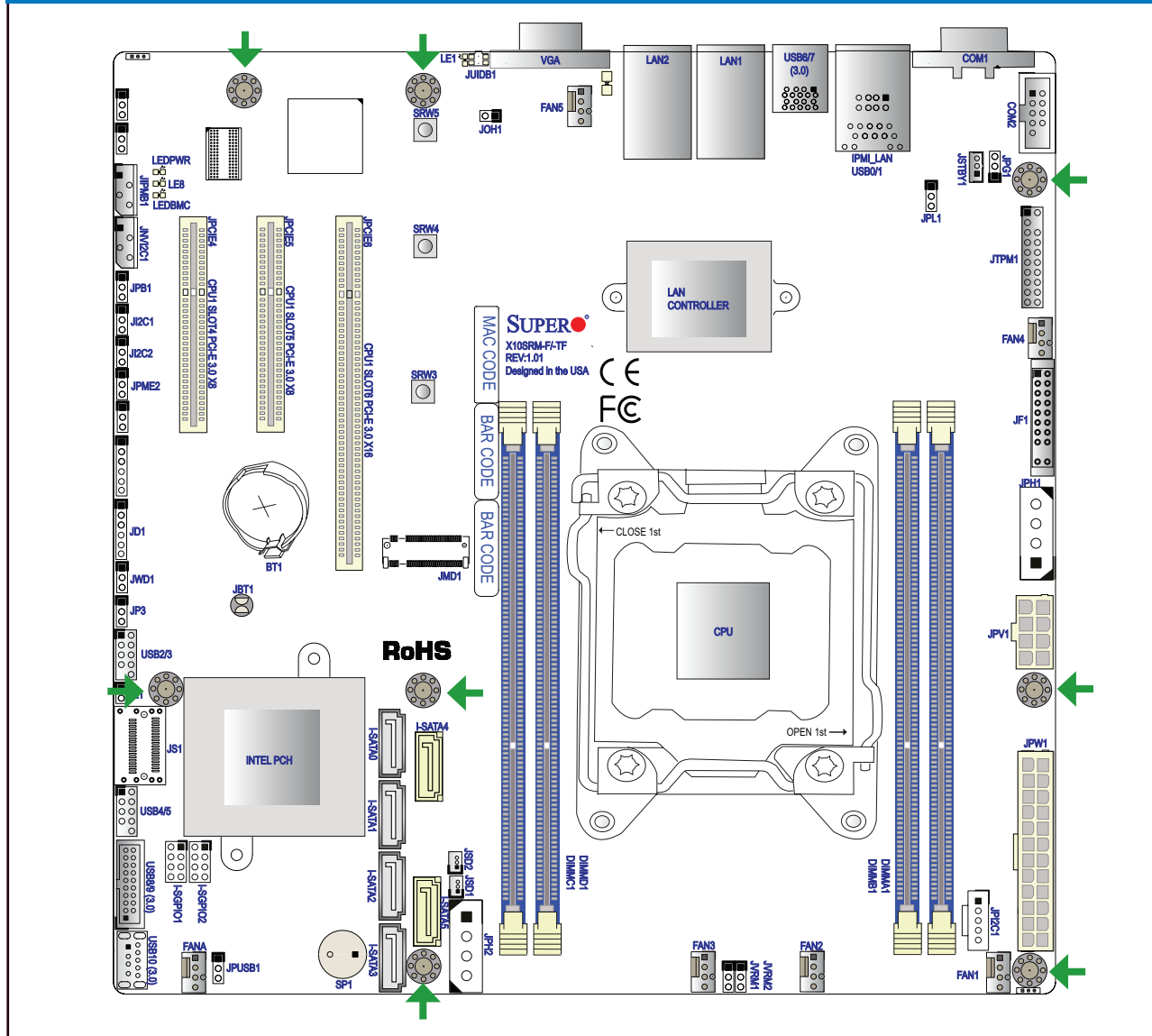


Motherboard Layout and Features



Jumpers and Connectors

Jumpers		
Jumper	Description	Default
JBT1	Clear CMOS	Short: Clear CMOS, Open: Normal
JPC1/JPC2	SMB to PCI Slots	Pins 2-3 (Disabled)
JP3	M.2 Slots I°C Enable/Disable	Pins 1-2 (Normal)
JPB1	BMC Enable/Disable	Pins 1-2 (Enabled)
JPG1	VGA Enable/Disable	Pins 1-2 (Enabled)
JPL1	LAN1/LAN2 Enable/Disable	Pins 1-2 (Enabled)
JPME2	Manufacturing Mode Select	Pins 1-2 (Normal)
JPUSB1	USB Wakeup	Pins 1-2 (Enabled) (For USB4/5/8/9 only)
JVRM1	VRM SMB Clock (to BMC or PCH)	Pins 1-2 (BMC, Normal)
JVRM2	VRM SMB Data (to BMC or PCH)	Pins 1-2 (BMC, Normal)
JWD1	Watch Dog	Pins 1-2 (Reset)

Connectors	
Connector	Description
BT1	Onboard Battery
COM1/COM2	COM Port, COM Header
FAN1 ~ FAN5, FANA	CPU Fan Headers, System Fan Headers
IPMI_LAN	Dedicated IPMI LAN Port
I-SATA0 ~ I-SATA5	Intel® PCH SATA 3.0 Ports
I-SGPIO1/I-SGPIO2	Serial Link General Purpose I/O Connection Headers
JD1	Speaker/Power LED Indicator
JF1	Front Control Panel Header
JIPMB1	4-pin BMC External I°C Header (for an IPMI Card)
JL1	Chassis Intrusion Header
JMD1	M.2 Socket
JNVI2C1	NVMe I°C Header
JOH1	Overheat LED Indicator
JPCIE4	CPU PCI-E 3.0 X8 (in X8) Slot
JPCIE5	CPU PCI-E 3.0 X8 (in X8) Slot
JPCIE6	CPU PCI-E 3.0 X16 (in X16) Slot
JPH1/JPH2	4-pin Power Connectors for HDD use
JPI2C1	Power I°C System Management Bus (SMB) Header
JPV1	8-pin Power Connector
JPW1	24-pin ATX Power Connector
JS1	iPass Connector
JSD1/JSD2	SATA DOM Power Connectors
JSTBY1	Standby Power Header
JTPM1	Trusted Platform Module/Port 80 Connector
JUIDB1	UID Switch
LAN1/LAN2	LAN (RJ45) Ports
SP1	Internal Speaker/Buzzer
SRW3	M.2 42mm card holding screw
SRW4	M.2 80mm card holding screw
SRW5	M.2 110mm card holding screw
USB0/1	Back Panel Universal Serial Bus (USB) 2.0 Ports
USB6/7	Back Panel USB 3.0 Ports
USB2/3, USB4/5	USB 2.0 Headers
USB8/9	Front Accessible USB 3.0 Header
USB10	USB 3.0 Type A Header
VGA	VGA Port

LED Indicators

LED Indicators			
LED	Description	Color/State	Status
LE1	Rear UID LED	Blue: On	Unit Identified
LE8	HDD Access LED	Green: On	HDD Detected
LEDBMC	BMC Heartbeat LED	Green: Blinking	BMC Normal
LEDPWR	Onboard Power LED	Green: Solid On	Power On

CPU Support

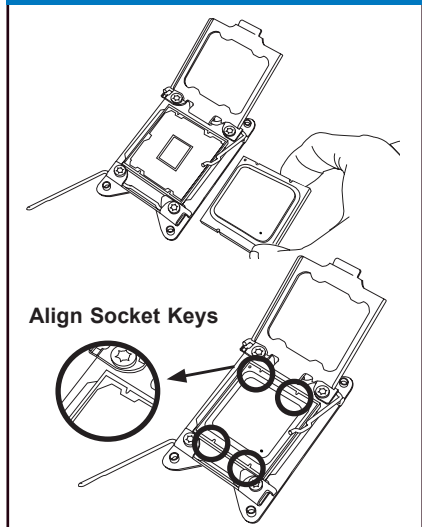
Intel® Xeon E5-1600 and E5-2600 v3/v4 series processors in an LGA 2011 socket.

Memory Support

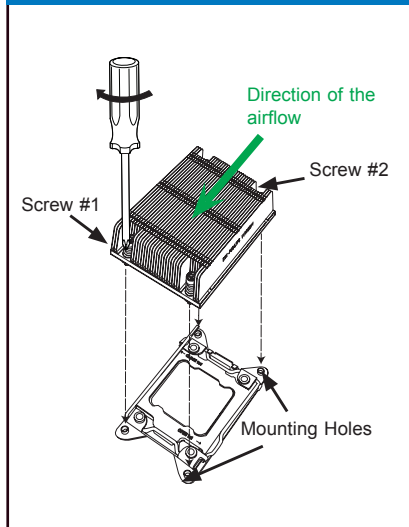
The X10SRM-F/-TF supports four ECC DDR4 RDIMM/LRDIMM at 2400 MT/s (max.) memory (1 DPC) up to 128GB RDIMM or 256GB LRDIMM. Populating these DIMM modules with a pair of memory modules of the same type and size will result in interleaved memory, which will improve memory performance.

DIMM Memory Installation					
Populating RDIMM/LRDIMM DDR4 Memory Modules for the E5-2600v3-based Motherboard					
Type	Ranks Per DIMM and Data Width	DIMM Capacity (GB)	Speed (MT/s); Voltage (V); Slot Per Channel (SPC) and DIMM Per Channel (DPC)		
			1 Slot Per Channel	2 Slots Per Channel	
			1DPC	1DPC	2DPC
RDIMM	SRx4	8GB	1.2V	1.2V	1.2V
RDIMM	SRx4	16GB	2400	2400	2133
RDIMM	SRx8	4GB	2400	2400	2133
RDIMM	DRx8	8GB	2400	2400	2133
RDIMM	DRx4	16GB	2400	2400	2133
RDIMM	DRx4	32GB	2400	2400	2133
LRDIMM	QRx4	32GB	2400	2400	2400
LRDIMM 3DS	8Rx4	64GB	2400	2400	2400

CPU Installation



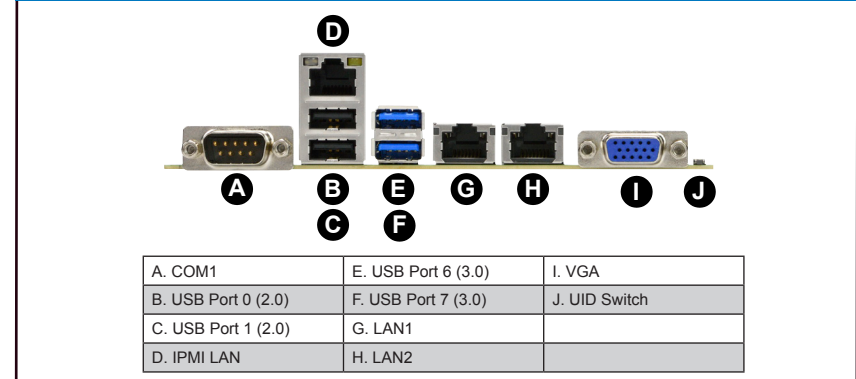
Heatsink Installation



Front Control Panel (JF1)

Power Button	PWR	1	2	Ground
Reset Button	Reset	3	4	Ground
	+3.3V	5	6	PSU PMBus alert#
Red+ (Blue LED Cathode)		7	8	Blue+ (OH/Fan Fail)
NIC2 Active LED		9	10	NIC2 Link LED
NIC1 Active LED		11	12	NIC1 Link LED
ID_UID_SW/3.3V Stdby		13	14	HDD LED
3.3V		15	16	FP PWRLD
X		17	18	X
NMI		19	20	Ground

Back Panel I/O Connectors



Note: Graphics shown in this quick reference guide are for illustration only. Your components may or may not look exactly the same as drawings shown in this guide.

Note: Refer to Chapter 1 of the User Manual for detailed information on jumpers, connectors, and LED indicators.

Note: Refer to Chapter 2 of the User Manual for detailed information on memory support and CPU/motherboard installation instructions.