

W24L100-MRA1ID3S

24" Intel® Atom® N2600 Marine Panel PC



KEY FEATURES

- Intel® Atom® N2600 dual-core processor Marine Panel PC
- Dimming knob control backlight brightness from nearly 0% to 100%
- Transflective film technology enhances visibility
- Panel (flush) mount IP66 aluminum housing with powder coating design (IP54 rear)
- 9~36V DC power input acceptable



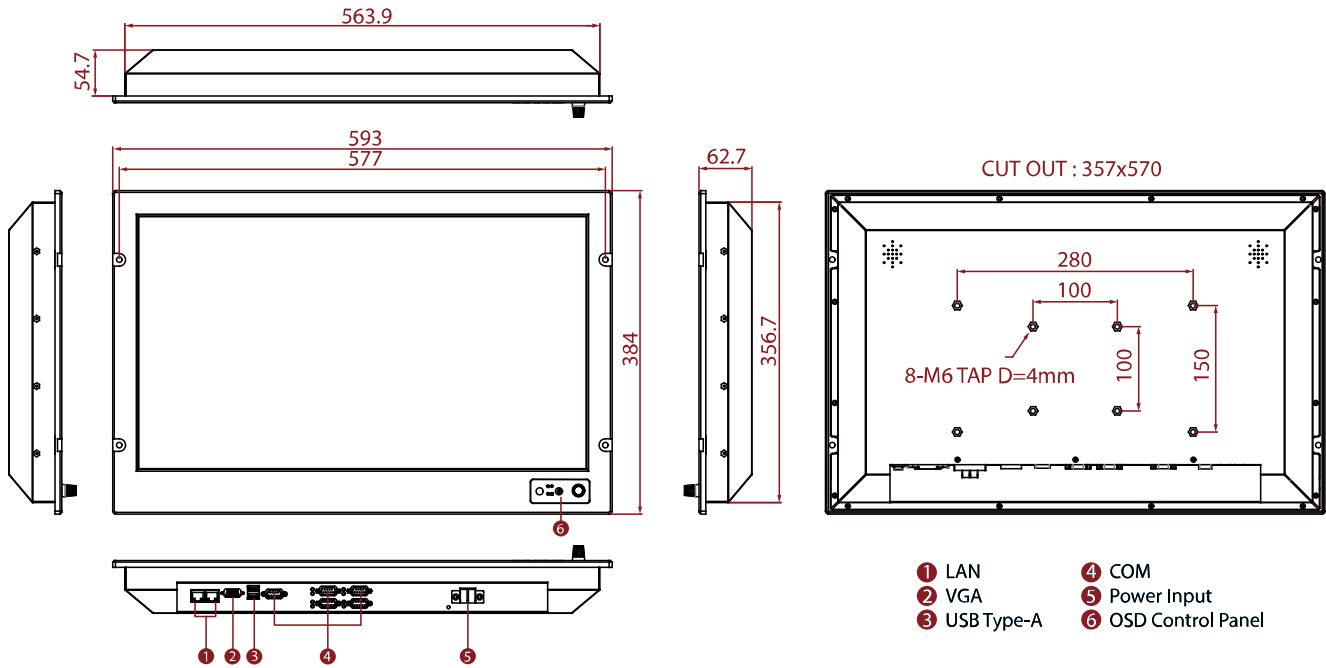
SPECIFICATIONS

| Display | |
|------------------------------|--|
| Resolution | 1920x1080 |
| Contrast Ratio | 5000:1 |
| View Angles | 89,89,89,89 |
| Touch / Glass | Resistive Touch Screen AR Glass (Optional) |
| Size | 24 inches |
| Panel Brightness | 300 nits |
| Active Area | 531.36x298.89 mm |
| System Specification | |
| Processor | Intel Atom® N2600 (1M Cache, 1.6 GHz) |
| Memory | 1 x SO-DIMM, DDR3L 1600 MHz, 4GB |
| Ethernet controller | BCM57780A1KMLG |
| Chipset | Intel® NM10 |
| Storage | 1 x mSATA SSD 128GB mSATA SSD up to 512GB (Optional) |
| Operating System | Windows 7 Embedded Systems (Optional) Linux Ubuntu 16.04 (Optional) |
| Environment | |
| Operating Humidity | 5% to 95% |
| Shock | 15G, 11ms duration |
| IP rating | IP66 (Front Side) |
| Operating Temperature | -15~55°C |
| Vibration | 0.7g@DNVGL CG-0339 (Class A) |
| Certification | |
| Certification | DNVGL-CG-0339, IEC60945 4th, IACS E10, CE, FCC |
| IO Ports | |
| USB Port | 2 x USB2.0 |
| Video | 1 x VGA |
| Serial Port | 1 x RS232/422/485 4 x RS232 or 4 x Isolation RS422/485 |
| LAN | 2 x RJ45-10/100/1000 Mbps |
| Mechanical | |
| Dimension | 593 x 356.7 x 62.7 mm |
| Enclosure | Metal Housing with Aluminum Bezel |
| Cut out | 570 x 357 mm |
| Mounting | VESA Mount/ Panel Mount |
| Cooling System | Fanless Design |
| Accessory | |
| Accessory | Driver CD & User Manual 4 x M6 Black Screw Bolt with M6 Nut |

| | |
|---------------------|---|
| Power | |
| Power Rating | 24V DC-in with Isolation (Approval by Certificate) 9~36V DC Input Acceptable |
| Control | |
| Button | 1 x Power Button 1 x Reset Button 1 x The Dimming Knob |

DIMENSIONS UNIT:MM

Winmate W24L100-MRA1ID3S



NOTE

1. This is a simplified drawing and some components are not marked in detail.
2. Please contact our sales representative if you need further product information.
3. All specifications are subject to change without prior notice.
4. The product shown in this datasheet is a standard model. For diagrams that contain customized or optional I/O, please contact the Winmate Sales Team for more information.