

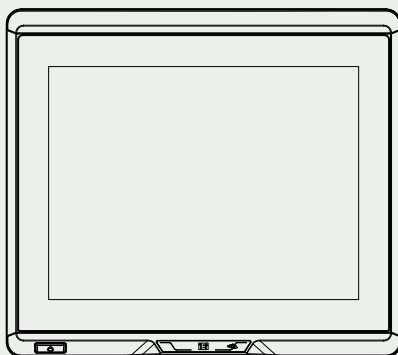
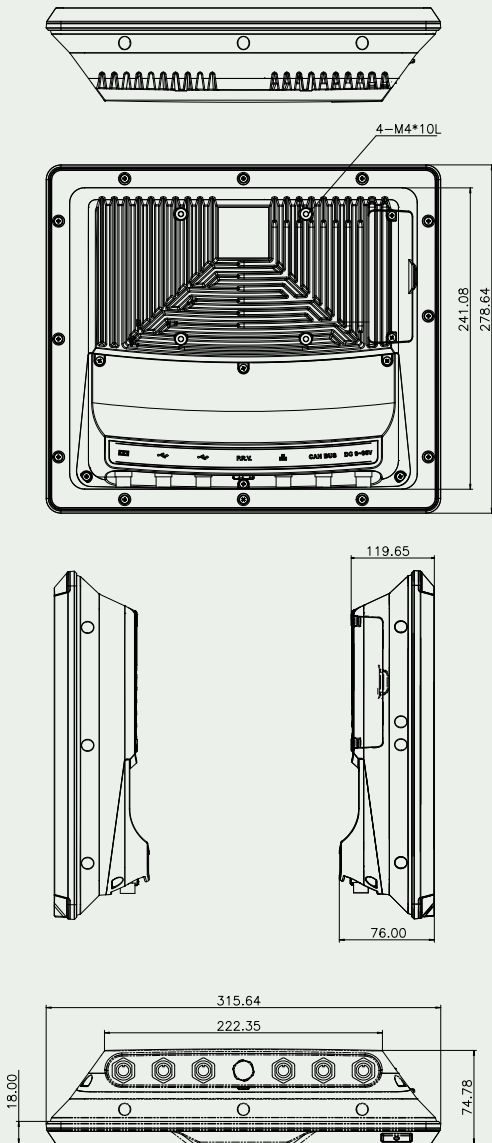
UPC-F12M1-ADLP

IEI Heavy Industrial Panel PC

Powered by Intel® Alder Lake P platform



Dimensions



Specifications

Model	UPC-F12M1-ADLP	
LCD	Size	12.1" (4:3)
	Resolution (WxH)	1024 x 768
	Brightness (cd/m ²)	600
	LCD Color	16.7M
	Pixel Pitch (mm)	0.24 x 0.24
	Contrast Ratio	700 : 1
	Viewing Angle (H-V)	160° /140°
Touch	Backlight MTBF	50,000 hours
	Touch Screen	PCAP with USB interface (anti-UV/AG coating)
	Touch Controller	ILITEK: ILI2520
Motherboard	SOC	Intel® Alder Lake-P Core™ i5-1250PE SoC Processor (28W) Intel® Alder Lake-P Celeron® 7305E SoC Processor (15W)
	RAM	Dual channel 8GB LPDDR4x on board
	Ethernet	LAN1: Intel® I225LM 2.5GbE controller LAN2: Intel® I225V 2.5GbE controller
	Storage	1 x M.2 M key 2280 (PCIe Gen3 x4)
	Expansion	1 x M.2 B key 3042/3052/3080 (SATA & PCIe Gen3 x1 & USB 3.0) 1 x M.2 M key 2280 (PCIe Gen3 x4)
	I/O Ports & Switch	2 x 8pin M12A FEMALE connector for Two USB 2.0 1 x 8pin M12A FEMALE connector for COM (RS-232/422/485) 1 x 8pin M12X FEMALE connector for GbE LAN (2.5G) I225LM 1 x 5pin M12A FEMALE connector for CANBUS 1 x 5pin M12 MALE connector for DC Jack / Terminal (9V~36V DC)
	Connectivity	RFID: Reserved RFID antenna area (optional) Wireless & Bluetooth: IEEE 802.11 a/b/g/n/ax, Bluetooth V5.2 form 1 x M.2 2230 E key Slot (PCIe + USB signal)
Physical	Construction	Aluminum die-casting
	Mounting	VESA 100mm x 100mm
	Net Weight	5kg
Environment	Dimensions (W x L x D) (mm)	316 x 279 x 67
	Operating Temperature (Ambient with air flow)	-20° C ~ 60° C
	Storage Temperature	-20° C ~ 70° C
	Humidity	10% to 95%@40° C (non-condensing)
	Operating Shock	Half-sine wave shock 5G; 11ms; 100 shocks per axis
	Operating Vibration	MIL-STD-810F 514.5G-1 (with SSD)
	IP Level	Full IP66
	Safety&EMC	CE/FCC/UKCA
Termal Solution	Fanless	
Power	9 ~ 36V	
ErP	ErP 2009/125/EC	
OS	Windows 10/11 IoT Linux	

Packing List

1 x Power Cord	1 x M12 to USB cable	1 x 3-pin Terminal Block
2 x Ferrite core	1 x Screw Pack	1 x QIG

Ordering Information

Part No	Description
UPC-F12M1-ADLP-i5/ PC/8G-R10	12.1" 600cd/m ² XGA fanless ultra panel PC with Intel® Alder Lake-P Core™ i5-1250PE Processor, TDP 28W, 8GB LPDDR4x RAM, 802.11a/b/g/n/ac/ax Wi-Fi module, PCAP touch, M12 I/O, R10
UPC-F12M1-ADLP-C/ PC/8G-R10	12.1" 600cd/m ² XGA fanless ultra panel PC with Intel® Alder Lake-P Celeron® 7305E Processor, TDP 15W, 8GB LPDDR4x RAM, 802.11a/b/g/n/ac/ax WiFi module, PCAP touch, M12 I/O, R10

Options

Item	Part No	Description
Arm	ARM-11-RS	VESA 75/100 Desk ARM
Stand	STAND-C12-R10	VESA 75/100 Easy Stand
Wall Mount Kit	AFLWK-12	Monitor Wall mounting kit
TBD	TBD	TBD
TBD	TBD	TBD
TBD	TBD	TBD
TBD	TBD	TBD