

STC2-KL Series

Smart Touch Computers



Features

- Intel® Core™ i3-7100U/i5-7300U/i7-7600U
- 10.1"/15.6"/21.5" 16:9 LCD panel with LED backlight with 50,000 service life
- With up to 1920 x 1080 resolution
- 10-point PCAP touchscreen
- Anti-fingerprint surface treatment for ease of cleaning and enhanced readability
- IP rating for water and dust protection
- Robustness with wide 9-36V DC input
- Ease of installation with optional VESA mount
- Supports half-length PCIe x4 card and expandable I/O function board (by request)

Software Support

- Windows® 10 IoT Enterprise

Optional Accessories

- Wi-Fi Kit
IEEE 802.11 a/b/g/n/ac Wi-Fi kits
- 4G/LTE Kits
For USA/EU/AP markets
- Adapter
12V 60W power adapter (PN:31-62156-1010-A0)
for STC2-10WP/15WP
12V 84W power adapter (PN: 31-62157-1010-A0)
for STC2-21WP

Ordering Information

- STC2-10WP-i5-7300U (P/N: 93-P2200-2A10)
10.1" Smart Touch Computer, PCAP touch, 4GB, 64GB M.2 SSD
- STC2-15WP-i5-7300U (P/N: 93-P2200-6A10)
15.6" Smart Touch Computer, PCAP touch, 4GB, 64GB M.2 SSD
- STC2-21WP-i5-7300U (P/N: 93-P2200-BA10)
21.5" Smart Touch Computer, PCAP touch, 4GB, 64GB M.2 SSD
- STC2-10WP-i3-7100U (P/N: 93-P2200-2B10)
10.1" Smart Touch Computer, PCAP touch, 4GB, 64GB M.2 SSD
- STC2-15WP-i3-7100U (P/N: 93-P2200-6B10)
15.6" Smart Touch Computer, PCAP touch, 4GB, 64GB M.2 SSD
- STC2-21WP-i3-7100U (P/N: 93-P2200-BB10)
21.5" Smart Touch Computer, PCAP touch, 4GB, 64GB M.2 SSD
- STC2-10WP-i7-7600U (PN: 93-P2200-2C10)
10.1" Smart Touch Computer, PCAP touch, 4GB, 64GB M.2 SSD
- STC2-15WP-i7-7600U (PN: 93-P2200-6C10)
15.6" Smart Touch Computer, PCAP touch, 4GB, 64GB M.2 SSD
- STC2-21WP-i7-7600U (PN: 93-P2200-BC10)
21.5" Smart Touch Computer, PCAP touch, 4GB, 64GB M.2 SSD

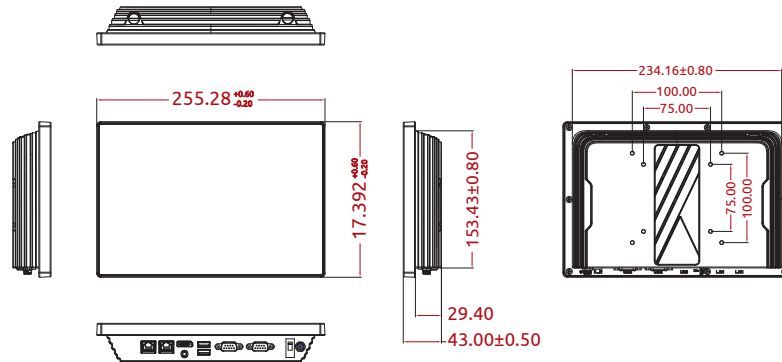
Specifications



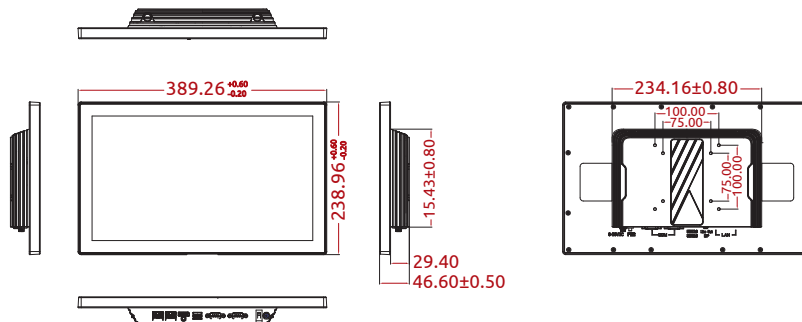
Model	STC2-10WP-KL	STC2-15WP-KL	STC2-21WP-KL
System			
Processor	7th Gen Intel® Core™ Processor		
Memory	4GB DDR3L default (up to 8GB)		
Storage	64GB SSD default (up to 1TB)		
Display			
Size	10.1"	15.6"	21.5"
Resolution	1280x 800	1920 x 1080	
Aspect Ratio	16:09		
Brightness	400 nits (w/i touch)		
Backlight Life (Hrs)	50,000		
Viewing Angle (U/D/R/L)	89/89/89/89		
Contrast Ratio	800:1	1000:1	
Touchscreen	10-point, PCAP, Anti-fingerprint coating		
I/O			
Ethernet	2x GbE LAN, RJ-45		
Serial Port	2x COM ports, RS-232/422/485		
USB Port	1x USB 2.0, Type A 1x USB 3.0, Type A		
Expansion	1x Mini PCIe card with PCIe and USB interface		
Wi-Fi and Bluetooth	802.11 a/b/g/n/ac and Bluetooth 4.0 (Optional with Mini PCIe card)		
4G/LTE	For USA/Europe/TW/NZ/AU regions (Optional)		
Video	1x DP Port		
Audio	1x audio port (line out)		
Environmental			
Operating Temperature	-10°C to 50°C (SSD)		
Storage Temperature	-20°C to 60°C		
Humidity	10% to 80% @ 40°C (non-condensing)		
Vibration	Operating: 1G random 5 to 500Hz		
Shock	Operating: 20G/11ms		
IP Rating	Front IP65		
Certifications & Compliance	CE/FCC		
Power Input	9-36V DC input OVP/UVI protection		
Power Consumption	40.9W	50.4W	64.1W
Software			
WDT	Watch Dog Timer supported		
Operating System	Windows® 10 IoT Enterprise		
Weight (Net/Gross)	2.05 kg /2.5 kg	3.4 kg /4.2 kg	6.2 kg /6.9 kg
Dimensions (H x W x D) (mm)	256x174x44	390x239x47	524x316x51
Mounting	VESA Mount, MIS-D 75mm x 75mm, 100mm x 100mm		

Mechanical Overview

STC2-10WP-KL



STC2-15WP-KL



STC2-21WP-KL

