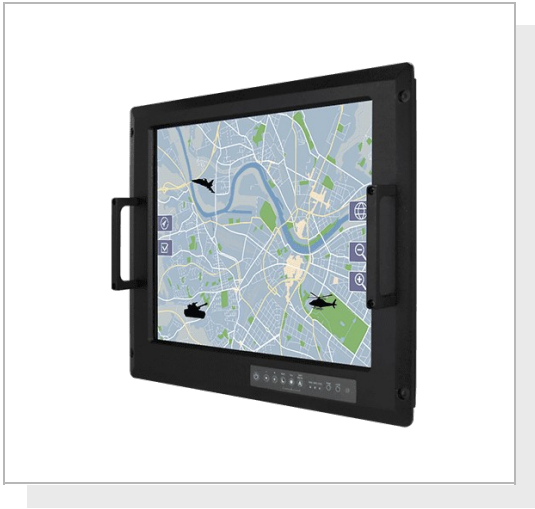


R19IT3S-RKA3ML

19" Intel® Core™ i5-1135G7 Defence Console Rack Panel PC



KEY FEATURES

- 19" SXGA TFT LCD
- Intel® Core™ i5-1135G7 2.4 GHz (turbo to 4.2GHz) Processor
- Anti-Corrosion Housing / Fanless
- Compliant with MIL-STD-810G/F , MIL-STD-461E/F
- Flush Rack / Rack Mount Mechanical Design (9U)
- Convenient On-Screen Display Controls
- AC 110~240 V Power input default
- Isolation DC 9~36 V Power input (Optional)
- Built-in Light Sensor for auto brightness control
- Defence Grade Power Connector (MIL-DTL-38999/1)



SPECIFICATIONS

Display			
Resolution	1280x1024	Size	19 inches
Contrast Ratio	1000:1	Panel Brightness	350 nits
View Angles	85,85,80,80	Active Area	376.32x301.06 mm
Touch / Glass	AR Protection Glass EMI ITO Glass (Optional) 5-wire Resistive Touch (Optional) 5-wire Resistive Touch with EMI Mesh Filter (Optional)		
System Specification			
Processor	Intel Core i5-1135G7 2.4GHz (up to 4.2GHz) Intel Core i5-1145G7 2.6GHz (up to 4.4GHz) (Optional)	Memory	1 x SO-DIMM, DDR4 3200 MHz, 4GB 8GB (Optional) 16GB (Optional) 32GB (Optional)
Storage	1 x M.2 M-Key 2242 SATA SSD or 1 x M.2 M-Key 2280 NVMe SSD 128GB 256GB (Optional) 512GB (Optional) 1TB(for NVMe) (Optional) 2TB(for NVMe) (Optional) 4TB(for NVMe) (Optional) 1 x SATA III , up to 2TB (Optional)	Ethernet controller	2 x Intel® Ethernet Controller
Security	TPM 2.0	Operating System	Windows 11 IoT Enterprise SAC (64 bit) (Optional) Windows 10 IoT Enterprise (64 bit) (Optional) Linux Ubuntu 22.04 (Optional)
Environment			
Operating Humidity	10% to 95% RH	Operating Temperature	-20°C~60°C
Storage Temperature	-30°C~70°C		
Compliance			
MIL-STD 461E/F	RE101 / RE102 CE101 / CE102 with EMI Glass / Touch(Optional) RS101 / RS 103 CS101 / CS 106 / CS 109 / CS 114 / CS 115 / CS	MIL-STD 810F/G	Vibration Method 514.5 Humidity Method 507.4 Transit Drop Method516.5

Certification

Certification CE, FCC

Mechanical

Dimension 482.6 x 399.3 x 71.4 mm **Mounting** Rack Mount / Panel Mount / VESA Mount
Enclosure Metal Housing with Aluminum Bezel **Cooling System** Fanless Design

IO Ports

USB Port 2 x USB 3.0 **Serial Port** 1 x RS232/422/485 (Default RS232)
 1 x RS232 (Optional)
Video 1 x HDMI (Optional) **LAN** 2 x RJ45

Accessory

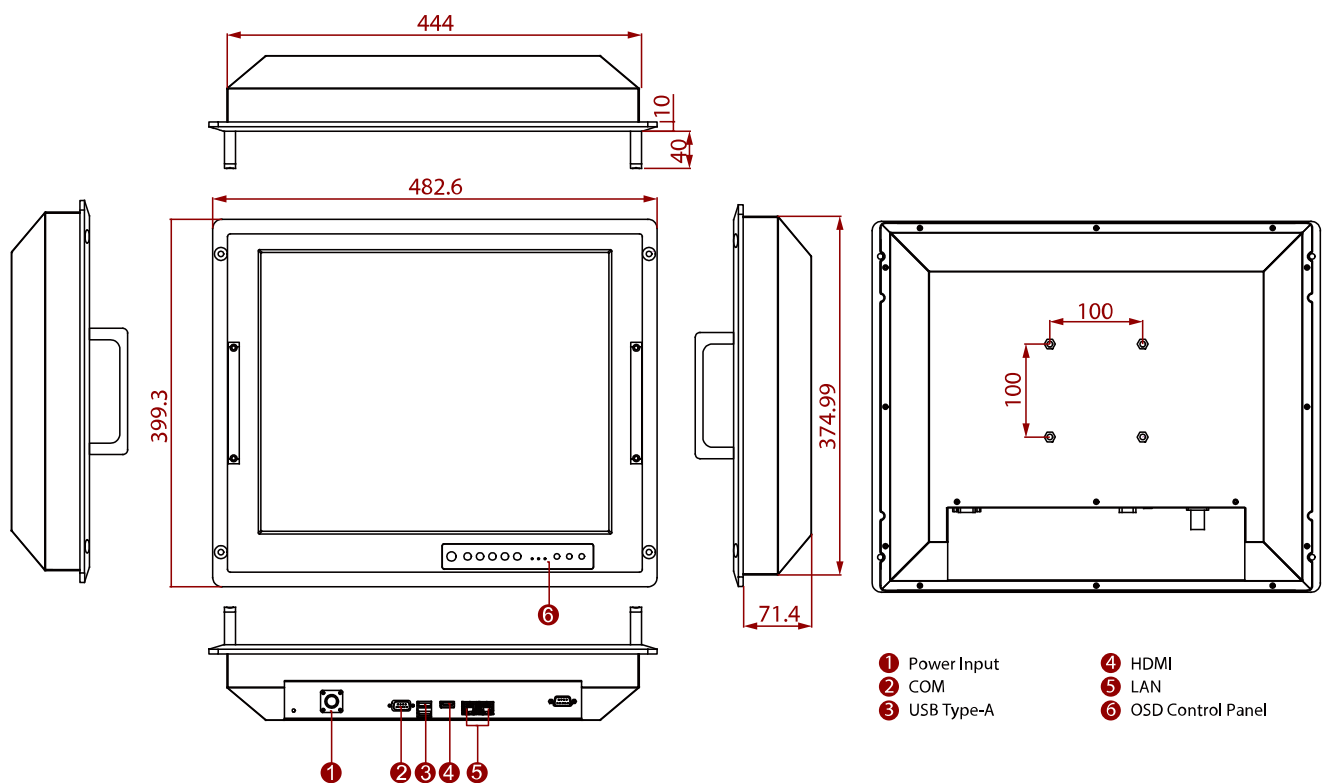
Accessory User Manual (Hardcopy)
 CD-ROM with Driver Utility
 Power Cord MIL-DTL-38999/1

Power

Power Rating AC 100~240V, Universal, ±10%
 DC 9~36V, ±10% (Optional)

Control

Button 8 Key OSD Control Pad:
 Power, Brightness DOWN, Brightness UP,
 Night, Day, Auto / Manual, Reset, Lock

DIMENSIONS UNIT:MM

NOTE

1. This is a simplified drawing and some components are not marked in detail.
2. Please contact our sales representative if you need further product information.
3. All specifications are subject to change without prior notice.
4. The product shown in this datasheet is a standard model. For diagrams that contain customized or optional I/O, please contact the Winmate Sales Team for more information.