

R19IB3S-67FTP(HB)

19" Intel® Celeron® N2930 G-WIN Full IP67 Series Panel PC



KEY FEATURES

- Totally sealed Full IP67 Design
- High performance / low power Intel® Celeron® N2930 2.16GHz Processor
- Anti-scratch 19-inch sunlight viewable 400 nits LCD panel (Optional for 1000 nits High Brightness)
- -10 to 60°C operating temperature
- Fanless, streamlined enclosure for highly efficient heat dissipation
- Touch screen control button to enable/disable touch screen interface
- Rugged Front Anti-Impact Design
- Front control membrane keys Lockable by software
- Optical Bonding with Panel & Touch Screen to increase the clarity and transparency

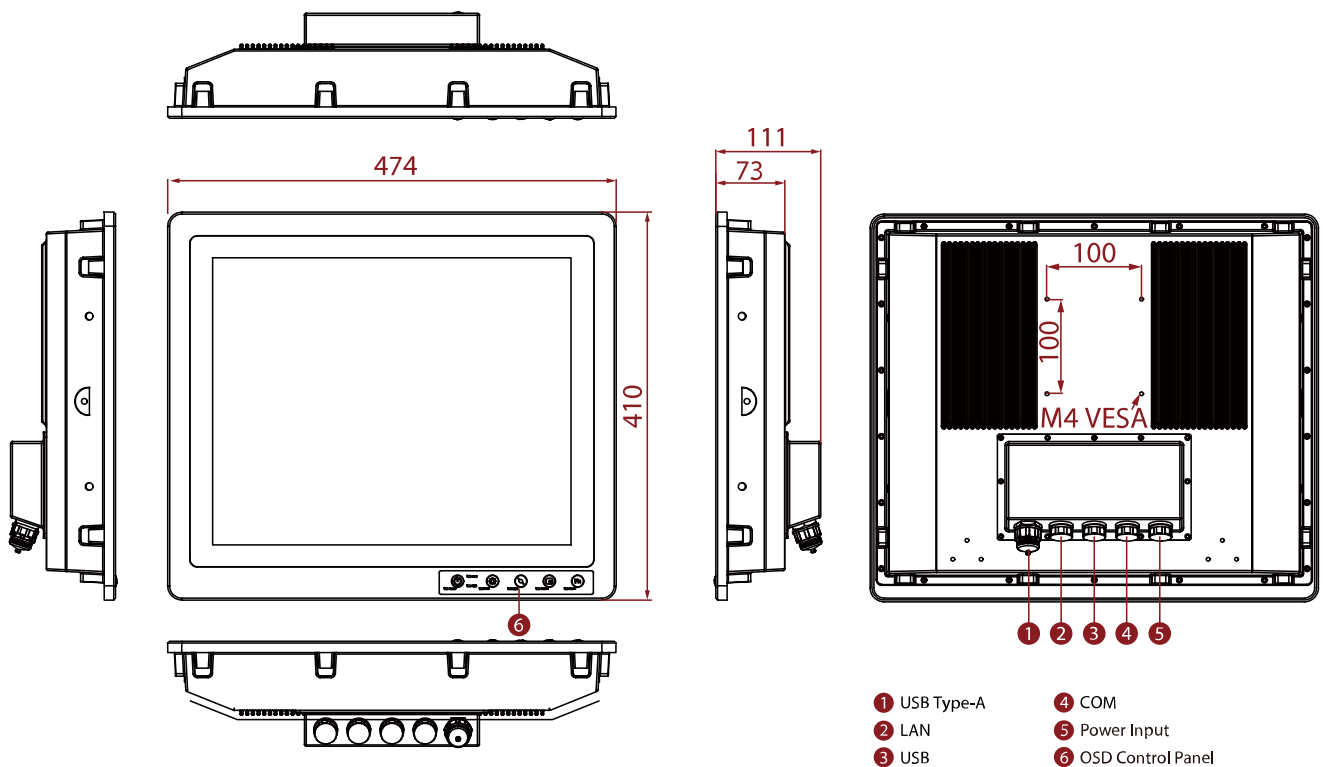


SPECIFICATIONS

System Specification			
Processor	Intel® Celeron® N2930 (2M Cache, up to 2.16 GHz)	Memory	1 x SO-DIMM, DDR3L 1600 MHz, 4GB 8GB (Optional)
Storage	1 x mSATA SSD 64GB. mSATA SSD up to 512GB. (Optional)	Ethernet controller	2 x Intel® Ethernet Controller I210-AT
Operating System	Windows 7 Embedded Systems (Optional) Windows 10 IoT Enterprise (Optional) Linux Ubuntu 18.04 (Optional)	WLAN	Support (Optional)
BT	Support (Optional)		
Display			
Resolution	1280x1024	Size	19 inches
Contrast Ratio	1000:1	Panel Brightness	350 nits 1000 nits(Optional)
View Angles	85,85,80,80	Active Area	376.32x301.06 mm
Touch / Glass	Projected Capacitive Multi Touch Screen Bonding With Panel	Optional function	High brightness Panel for sunlight readable (Optional)
Mechanical			
Dimension	474 x 410 x 111 mm	Mounting	Panel mount VESA Mount
Enclosure	Aluminum Housing	Cooling System	Fanless design
Cut out	462 x 386mm		
Environment			
Operating Humidity	10% to 90% (non-condensing)	Operating Temperature	-10~60°C
Storage Temperature	-30~70°C	Shock	Ignore MIL-STD-810G Method 516.6 (Optional)
Vibration	MIL-STD-810G Method 514.6	IP rating	IP67
Certification			
Certification	CE, FCC		

IO Ports			
Power Input	1 x M12 waterproof connector for 9~36V DC	USB Port	1 x M12 waterproof connector for 2 x USB2.0 1 x Waterproof USB Type-A Connector with cover
Serial Port	1 x M12 waterproof connector for RS232	LAN	1 x waterproof Giga LAN RJ45 connector
Indicator	1 x LED Indicator for power 1 x LED Indicator for storage 1 x LED Indicator for heater 1 x LED Indicator for LAN 1 x LED Indicator for lock touch		
Control			
Button	1 x Power Button 1 x Brightness up Button 1 x Brightness down Button 1 x Button for locking touch function 1 x Programmable function key		
Accessory			
Accessory	External open wire Power cable with waterproof connector External USB cable with waterproof connector External COM cable with waterproof connector External LAN cable with waterproof connector Waterproof caps RJ45 female-female converter Driver CD & Manual Mounting clips VESA screws	Optional Accessory	100~240V AC to DC Adapter with power cord (Optional)

DIMENSIONS UNIT:MM



NOTE

1. This is a simplified drawing and some components are not marked in detail.
2. Windows 10 operating system requires installing a new version of BIOS and OS image.
3. Windows 7 does not support the TPM 2.0 function.
4. Please contact our sales representative if you need further product information.
5. All specifications are subject to change without prior notice.
6. The product shown in this datasheet is a standard model. For diagrams that contain customized or optional I/O, please contact the Winmate Sales Team for more information.