

R15L100-VMC3HB

15" G-WIN VM Series Display



KEY FEATURES

- High Quality 15" XGA panel, 1024 x 768 resolution
- 5 Wire resistive touch screen
- -10 ~ +55°C Wide Range Operating Temperature
- Anti-Corrosion housing with Fanless Design
- Built-in ambient Light sensor
- Front IP65 Dust & Waterproof Protection (Except I/O ports)
- 9V ~ 36V DC Isolation Wide Range Power Input

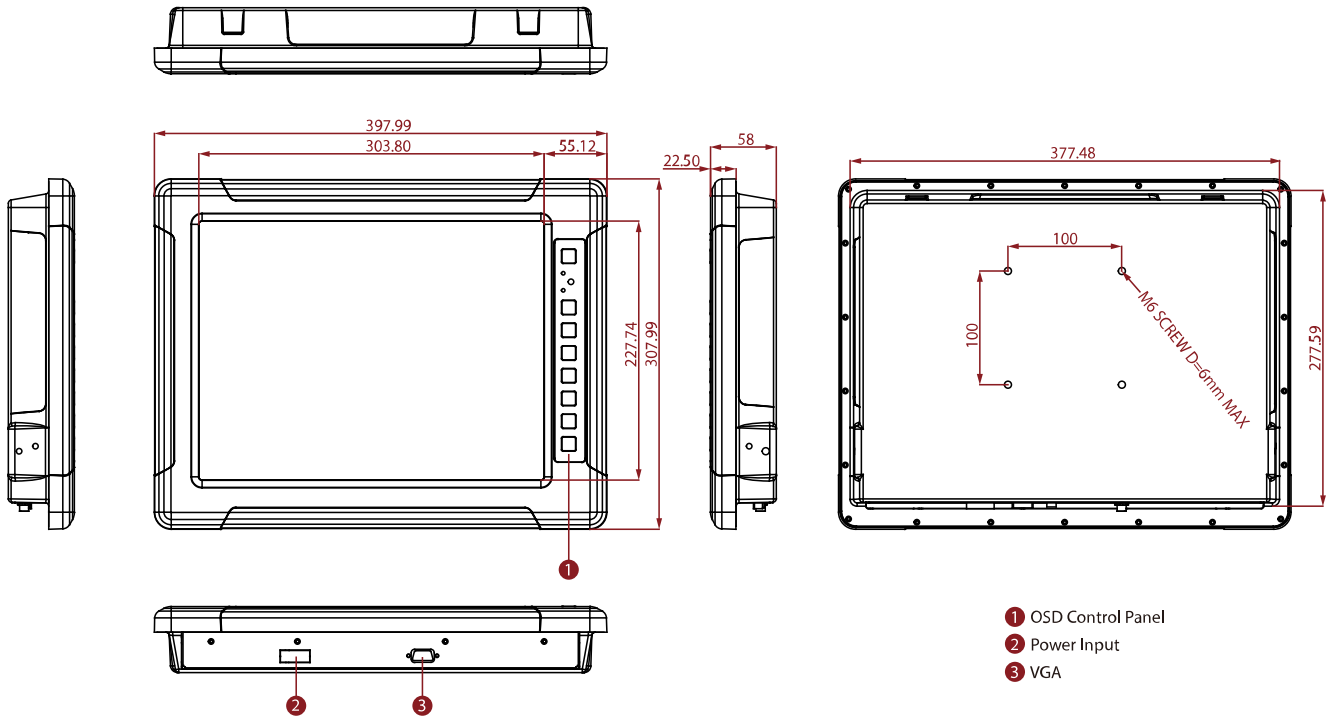


SPECIFICATIONS

Display			
Resolution	1024x768	Size	15.0 inches
Contrast Ratio	2000:1	Panel Brightness	300 nits
Display Color	16.2M Colors	View Angles	88,88,88,88
Touch / Glass	Resistive Touch Screen Transflective Film for sunlight readable (Optional) AR Glass (Optional)		
Environment			
Operating Humidity	10% to 95% (Non-Condensing)	Operating Temperature	-10°C~55°C
Storage Temperature	-30°C~70°C	Shock	Operating:40g for 18ms
Vibration	Operating: 1.62/2.02/2.20g rms for XYZ / 5-500Hz		
Certification			
Certification	CE, FCC		
IO Ports			
USB Port	1 x USB for Touch Screen (Optional)	Serial Port	1 x RS232 for Touch Screen (Optional)
Video	1 x VGA 1 x DVI (Optional) 1 x S-Video (Optional) 1 x Composite (Optional)		
Mechanical			
Dimension	397 x 307 x 58 mm	Mounting	VESA Mount
Enclosure	Metal Housing with Aluminum Bezel	Cooling System	Fanless Design
Accessory			
Accessory	User Manual(Hardcopy) Touch Driver CD 3 Pin Terminal Block AC Adapter Power Cord Mounting Bracket		

Power	
Power Rating	9V~36V DC In Terminal Block
Control	
Button	8 key: Power Menu Auto Volume Up/ Swap Volume Down/ PIP Brightness Up Brightness Down LED Adjustment

DIMENSIONS UNIT:MM



NOTE

1. This is a simplified drawing and some components are not marked in detail.
2. The product shown in this datasheet is a standard model. For diagrams that contain customized or optional I/O, please contact the Winmate Sales Team for more information.
3. All specifications are subject to change without prior notice.