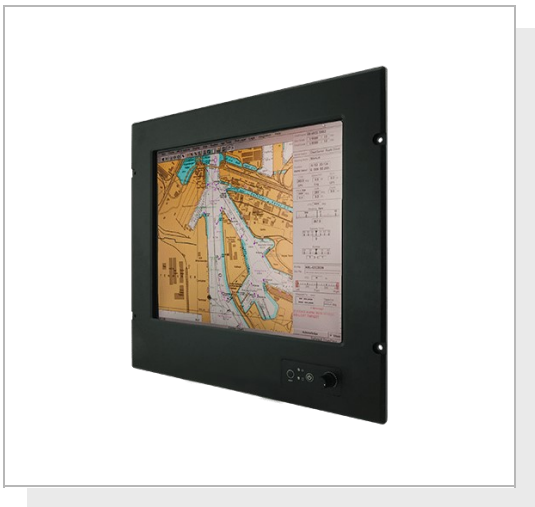


R15ID3S-MRM2

15" Intel® Atom® N2600 Marine Panel PC



KEY FEATURES

- Intel® Atom® N2600 dual-core Marine Panel PC
- Dimming knob control backlight brightness from nearly 0% to 100%
- Transflective film technology enhances visibility
- Panel (flush) mount IP66 aluminum housing with powder coating design (IP54 rear)
- 9~36V DC power input acceptable



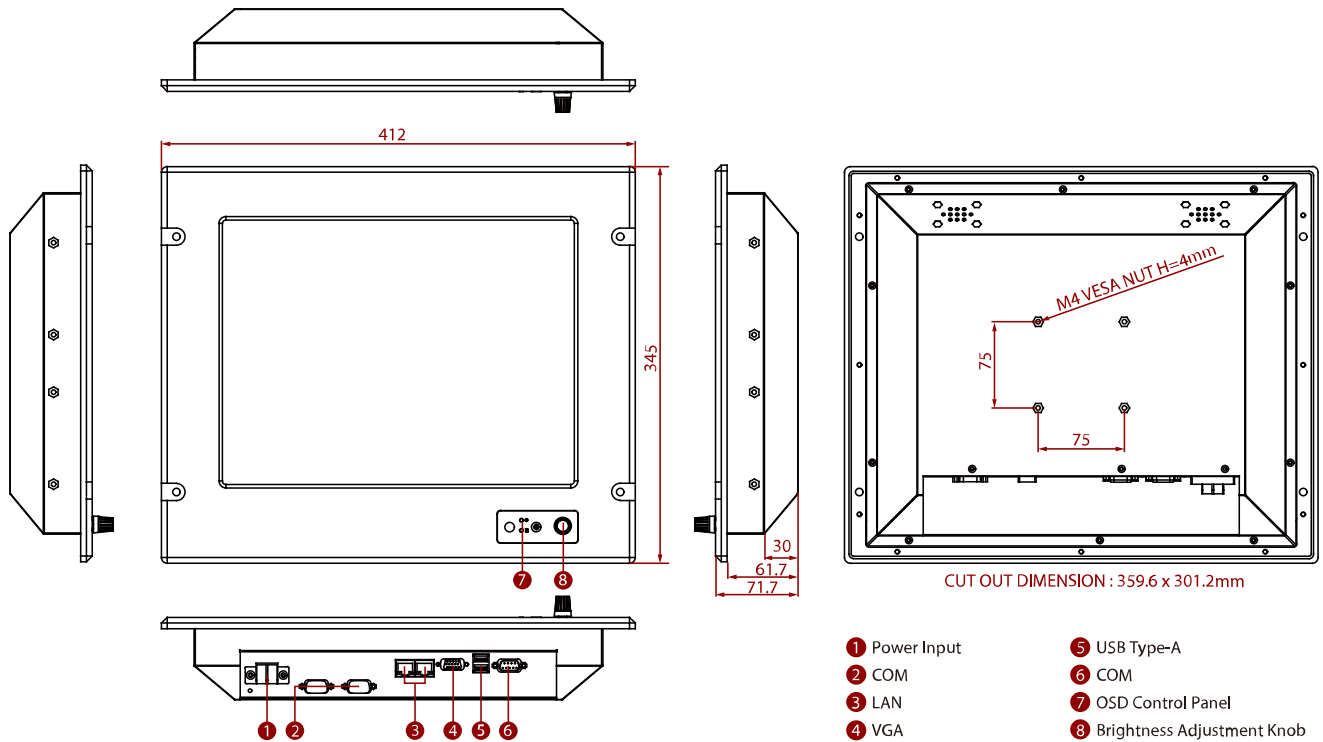
SPECIFICATIONS

Display	
Touch / Glass	Resistive Touch Screen AR Glass (Optional)
Size	15 inches
Panel Brightness	300 nits
Active Area	304.1x228.1 mm
Resolution	1024x768
Contrast Ratio	2000:1
View Angles	88,88,88,88
System Specification	
Processor	Intel Atom® N2600 (1M Cache, 1.6 GHz)
Memory	1 x SO-DIMM, DDR3L 1600 MHz, 4GB
Ethernet controller	BCM57780A1KMLG
Chipset	Intel® NM10
Storage	1 x mSATA SSD 128GB mSATA SSD up to 512GB (Optional)
Operating System	Windows 7 Embedded Systems (Optional) Linux Ubuntu 20.04 (Optional)
Environment	
Operating Humidity	5% to 95%
Shock	15G, 11ms duration
IP rating	IP66 (Front Side)
Operating Temperature	-15~55°C
Vibration	0.7g@DNVGL CG-0339 (Class A)
Certification	
Certification	DNVGL-CG-0339, IEC60945 4th, IACS E10, CE, FCC
Mechanical	
Dimension	412 x 345 x 71.7 mm
Mounting	VESA Mount/ Panel Mount
Cooling System	Fanless Design
Weight	5.8 kg
Enclosure	Metal Housing with Aluminum Bezel
IO Ports	
USB Port	2 x USB2.0
Serial Port	1 x RS232/422/485 2 x RS232 or 2 x Isolation RS422/485
Video	1 x VGA
LAN	2 x RJ45-10/100/1000 Mbps
Accessory	
Accessory	Driver CD & User Manual 4 x M6 Black Screw Bolt with M6 Nut

Power	
Power Rating	24V DC-in with Isolation (Approval by Certificate) 9~36V DC Input Acceptable
Control	
Button	1 x Power Button 1 x Reset Button 1 x The Dimming Knob

DIMENSIONS UNIT:MM

Winmate R15ID3S-MRM2



NOTE

1. This is a simplified drawing and some components are not marked in detail.
2. Only 24 V DC has been approved by DNVGL certification.
3. Please contact our sales representative if you need further product information.
4. All specifications are subject to change without prior notice.
5. The product shown in this datasheet is a standard model. For diagrams that contain customized or optional I/O, please contact the Winmate Sales Team for more information.