

R15IB3S-MLA3HB

15" Intel® Celeron® N2930 G-WIN Defence Panel PC



KEY FEATURES

- Build in ambient Light sensor
- High Quality 15" Panel, 1024*768 resolution, 1000 nits
- 5 Wire Resistive Touchscreen(Optional) / Anti-Reflection Protection Glass
- 802.11 a/b/g/n Wireless LAN with Antenna (Optional)
- Aluminum Housing with Anti-Corrosion Treatments
- Anti-Shock and Vibration Standard according to MIL-STD-810F/G & IEC60068-2-27
- Fanless Design
- Full IP65 Dust/water resistant Protection (Except I/O parts)
- Military grade power connector
- Ultra Low Power and High Performance Intel® Bay Trail N2930 1.83 GHz
- Wide Range 9 to 36 V DC Input (Optional)

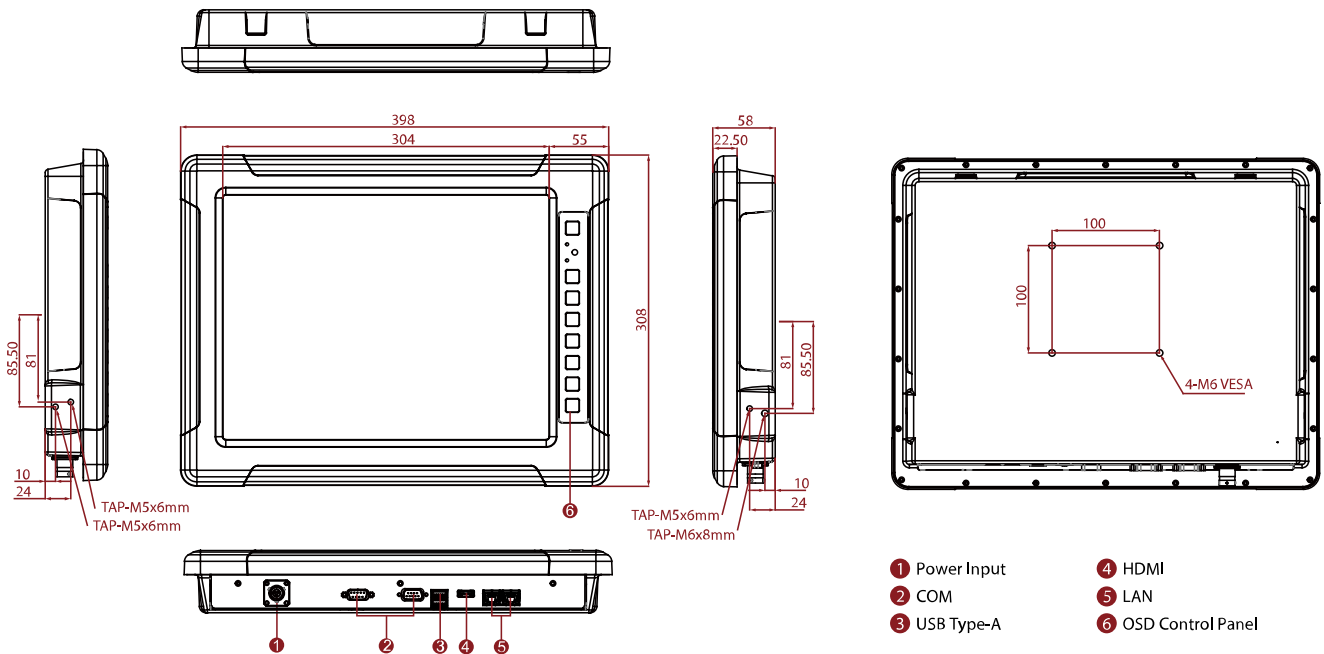


SPECIFICATIONS

Display	
Resolution	1024x768
Contrast Ratio	2500:1
View Angles	88,88,88,88
Touch / Glass	AR Protection Glass 5 Wires Resistive Touch (Optional) 5 Wire Resistive with EMI Mesh Filter (Optional) EMI Glass (Optional)
Size	15 inches
Panel Brightness	1000 nits
Active Area	304.1x228.1 mm
System Specification	
Processor	Intel® Celeron® N2930 (2M Cache, up to 2.16 GHz)
Storage	1 x mSATA SSD 64GB. mSATA SSD up to 512GB. (Optional)
Operating System	Windows 7 Embedded Systems (Optional) Windows 10 IoT Enterprise (Optional) Linux Ubuntu 18.04 (Optional)
Memory	1 x SO-DIMM, DDR3L 1600 MHz, 4GB 8GB (Optional)
Ethernet controller	2 x Intel® Ethernet Controller I210-AT
Environment	
Operating Humidity	10% to 95% RH
Storage Temperature	-30°C~70°C
Vibration	Operating: 1.60/1.96/2.18 g rms for XYZ / 5-500Hz
Operating Temperature	-20°C~60°C
Shock	Operating:30g for 18ms
Compliance	
MIL-STD 461E/F	RE101 / RE102 CE101 / CE102 with EMI Glass / Touch(Optional) RS101 / RS 103 CS101 / CS 106 / CS 109 / CS 114 / CS 115 / CS 116
MIL-STD 810F/G	Vibration Method 514.5 Humidity Method 507.4 Transit Drop Method516.5

Certification			
Certification	CE, FCC		
IO Ports			
USB Port	1 x USB2.0 1 x USB3.0	Serial Port	1 x RS-232(Default)/422/485 1 x RS-232 (Optional)
Video	1 x HDMI (Optional)	LAN	2 x RJ-45
Mechanical			
Dimension	398 x 308 x 58 mm	Mounting	VESA Mount
Enclosure	Metal Housing with Aluminum Bezel	Cooling System	Fanless Design
Accessory			
Accessory	User Manual Driver CD and User Manual Touch Driver CD Open Wire Cable		
Power			
Power Rating	12V DC (MIL-DTL-38999/1 connector) 9V to 36V wide range (Optional)		
Control			
Button	8 key: Power Reset Lock/Unlock Auto Dimming/Manually Day/Night Mode Brightness Up Brightness Down LED Adjustment		

DIMENSIONS UNIT:MM



NOTE

1. R15IB3S-MLA3HB