

R12ID3S-MRM2

12.1" Intel® Atom® N2600 Marine Panel PC



KEY FEATURES

- Intel® Atom® N2600 Dual Core Platform, Fanless Design Marine Panel PC
- Dimming knob control backlight brightness from nearly 0% to 100%
- Transflective film technology enhance visibility
- Panel (flush) mount IP66 aluminum housing with powder coating design (IP54 rear)
- 9 to 36 V DC power input acceptable
- High quality touchscreen / AR protection glass for option
- Ease of use front panel OSD control
- Enhanced shock and vibration resistance



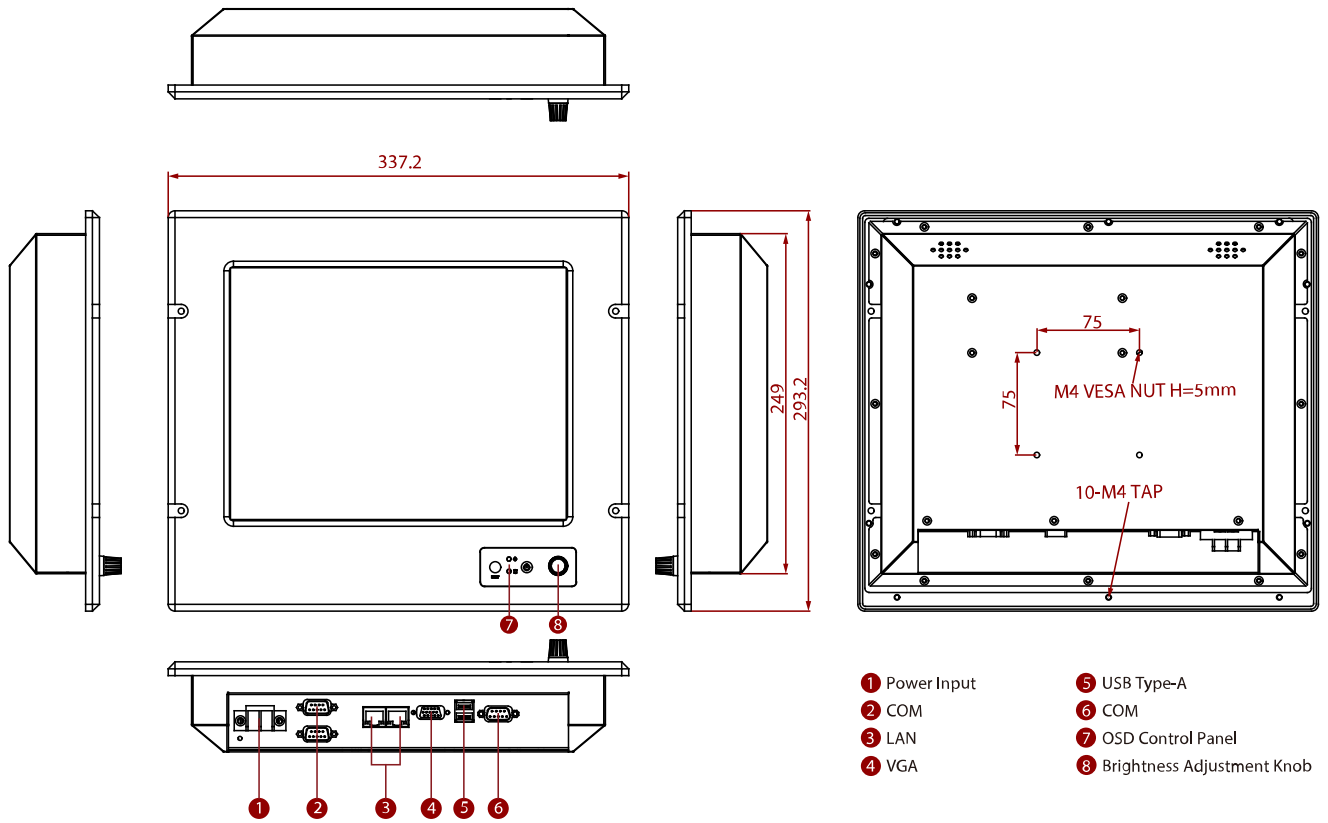
SPECIFICATIONS

Display	
Resolution	1024x768
Contrast Ratio	1000:1
View Angles	89,89,89,89
Touch / Glass	Resistive Touch Screen AR Glass (Optional)
Size	12.1 inches
Panel Brightness	500 nits
Active Area	245.76 x 184.32 mm
System Specification	
Processor	Intel Atom® N2600 (1M Cache, 1.6 GHz)
Memory	1 x SO-DIMM, DDR3L 1600 MHz, 4GB
Ethernet controller	BCM57780A1KMLG
Chipset	Intel® NM10
Storage	1 x mSATA SSD 128GB mSATA SSD up to 512GB (Optional)
Operating System	Windows 7 Embedded Systems (Optional) Linux Ubuntu 16.04 (Optional)
Environment	
Operating Humidity	5% to 95%
Shock	15G, 11ms duration
IP rating	IP66 (Front Side)
Operating Temperature	-15~55°C
Vibration	0.7g@DNVGL CG-0339 (Class A)
Certification	
Certification	DNVGL-CG-0339, IEC60945 4th, IACS E10, CE, FCC
IO Ports	
USB Port	2 x USB2.0
Video	1 x VGA
Serial Port	1 x RS232/422/485 2 x RS232 or 2 x Isolation RS422/485
LAN	2 x RJ45-10/100/1000 Mbps
Mechanical	
Dimension	336 x 293.2 x 50 mm
Enclosure	Metal Housing with Aluminum Bezel
Mounting	VESA Mount/ Panel Mount
Cooling System	Fanless Design
Accessory	
Accessory	Driver CD & User Manual 4 x M6 Black Screw Bolt with M6 Nut

Power	
Power Rating	24V DC-in with Isolation (Approval by Certificate) 9~36V DC Input Acceptable
Control	
Button	1 x Power Button 1 x Reset Button 1 x The Dimming Knob

DIMENSIONS UNIT:MM

Winmate R12ID3S-MRM2



NOTE

1. This is a simplified drawing and some components are not marked in detail.
2. Only 24 V DC has been approved by DNVGL certification.
3. Please contact our sales representative if you need further product information.
4. All specifications are subject to change without prior notice.
5. The product shown in this datasheet is a standard model. For diagrams that contain customized or optional I/O, please contact the Winmate Sales Team for more information.