

# R10L100-VMP3

## 10.4" G-WIN VM Series Display



### KEY FEATURES

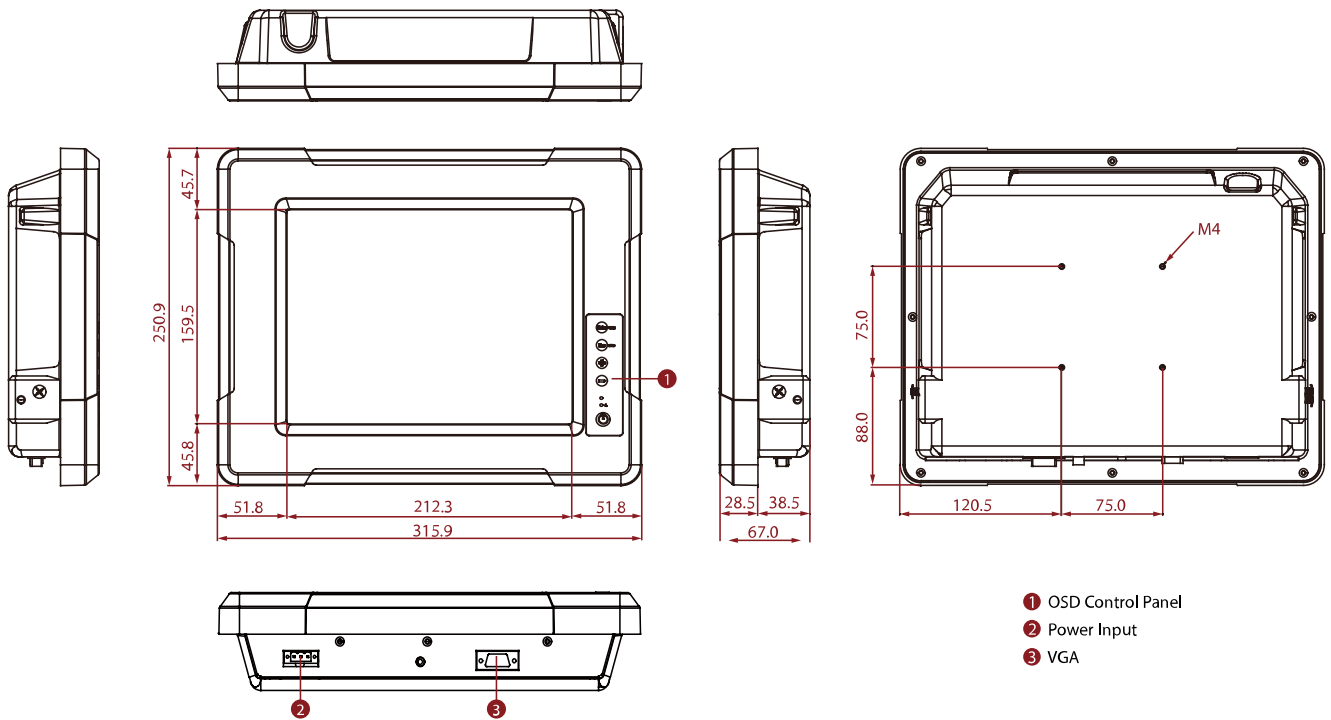
- High Quality 10.4" panel, 640 x 480 resolution, 450 nits
- 5 Wire resistive touch screen / IR Touch
- -25 ~ +55°C Wide Range Operating Temperature
- Anti-Corrosion housing with Fanless Design
- Front IP65 Dust & Waterproof Protection (Except I/O ports)
- 9V ~ 36V DC Isolation Wide Range Power Input
- Compliance With EN50155



### SPECIFICATIONS

Display	
<b>Resolution</b>	640x480
<b>Contrast Ratio</b>	700:1
<b>Display Color</b>	16.2M Colors
<b>Touch / Glass</b>	Resistive Touch Screen AR Glass (Optional)
<b>Size</b>	10.4 inches
<b>Panel Brightness</b>	450 nits
<b>View Angles</b>	80,80,80,60
Environment	
<b>Operating Humidity</b>	10% to 95% (Non-Condensing)
<b>Storage Temperature</b>	-30°C~70°C
<b>Vibration</b>	Operating: 1.60/1.96/2.18 g rms for XYZ / 5-500Hz
<b>Operating Temperature</b>	-10°C~55°C
<b>Shock</b>	Operating:30g for 18ms
Certification	
<b>Certification</b>	CE, FCC
IO Ports	
<b>USB Port</b>	1 x USB for Touch Screen (Optional)
<b>Serial Port</b>	1 x RS232 for Touch Screen (Optional)
<b>Video</b>	1 x VGA 1 x S-Video (Optional) 1 x Composite (Optional)
Mechanical	
<b>Dimension</b>	315.9 x 250.9 x 67 mm
<b>Enclosure</b>	Metal Housing with Aluminum Bezel
<b>Mounting</b>	VESA Mount
<b>Cooling System</b>	Fanless Design
Accessory	
<b>Accessory</b>	User Manual(Hardcopy) Touch Driver CD 3 Pin Terminal Block AC Adapter Power Cord Mounting Bracket
Power	
<b>Power Rating</b>	9V~36V DC In Terminal Block
Control	

**DIMENSIONS** UNIT:MM



**NOTE**

1. This is a simplified drawing and some components are not marked in detail.
2. The product shown in this datasheet is a standard model. For diagrams that contain customized or optional I/O, please contact the Winmate Sales Team for more information.
3. All specifications are subject to change without prior notice.