

R08T200-VMU1

8.4" G-WIN VM Series Display



KEY FEATURES

- High Quality 8.4" panel, 800 x 600 resolution, 600 nits
- 5 wire / 4 wire resistive touch screen
- -10 ~ +55°C Wide Range Operating Temperature
- Anti-Corrosion housing with Fanless Design
- Front IP65 Dust & Waterproof Protection (Except I/O ports)
- 9V ~ 36V DC Isolation Wide Range Power Input

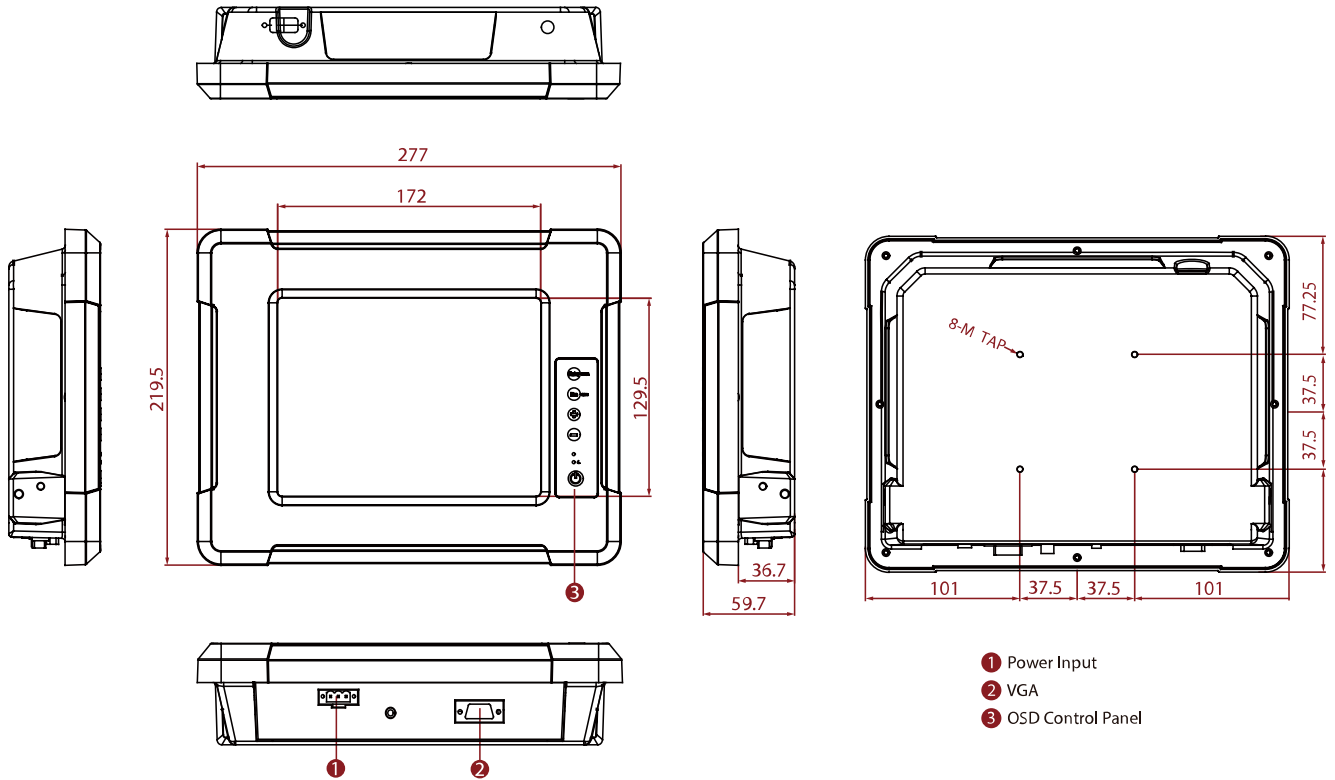


SPECIFICATIONS

Display	
Resolution	800x600
Contrast Ratio	600:1
Display Color	262K Colors
Touch / Glass	Resistive Touch Screen Protection Glass Without Touch Function (Optional)
Size	8.4 inches
Panel Brightness	600 nits
View Angles	75,75,60,70
Mechanical	
Dimension	277 x 219.5 x 59.7 mm
Enclosure	Aluminum Housing
Mounting	VESA Mount Yoke Mount
Cooling System	Fanless design
Environment	
Operating Humidity	10% to 90% (non-condensing)
Storage Temperature	-30~70°C
Operating Temperature	-15~55°C
Vibration	1.60/1.96/2.18 g rms for XYZ / 5-500Hz
Shock	30g for 18ms, 300m/s ²
IP rating	Front IP65
Certification	
Certification	CE, FCC Class B MIL810F/ IEC60068-2-27 for Vibration /Shock
IO Ports	
USB Port	1x USB type-A for touch screen control (Optional)
Serial Port	1 x RS232 D-sub9 for touch screen control (Optional)
Video	1x VGA input 1x S-Video & Composite input (Optional)
Indicator	1 x LED Indicator for power 1 x LED Indicator for status
Control	
Button	1 x Power Button 1 x Adjust up button 1 x Adjust down button 1 x ESC (Auto) button 1 x Menu button
Accessory	
Accessory	Open Wire Cable with terminal block connector External VGA cable
Optional Accessory	Yoke mount stand (Optional) 100~240V AC to DC Adapter with power cord

System Specification

DIMENSIONS UNIT:MM



NOTE

1. This is a simplified drawing and some components are not marked in detail.
2. The product shown in this datasheet is a standard model. For diagrams that contain customized or optional I/O, please contact the Winmate Sales Team for more information.
3. All specifications are subject to change without prior notice.