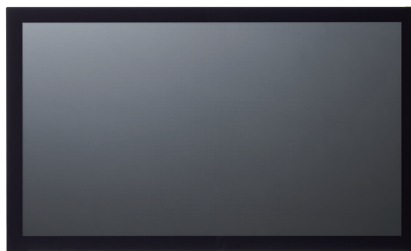


OM Series

Open-Frame Industrial Touch Monitor



Features

- 7"/12.1"/15"/17"/19" 4:3 LCD panel with LED backlight with up to 50,000 service life
- 10.1"/15.6"/18.5"/21.5"/23.8"/27"/32"/43" 16:9 LCD panel with LED backlight with up to 50,000 service life
- 10-point PCAP touchscreen
- Anti-fingerprint surface treatment for ease of cleaning and enhanced readability
- Wide viewing angles support for both portrait and landscape modes
- IP rating for water and dust protection
- Ease for deployment (support wall/panel/VESA mount)

Ordering Information

- OM-070, P/N:93-P6000-001E
- OM-101, P/N:93-P6000-2010
- OM-121, P/N:93-P6000-500E
- OM-150, P/N:93-P6000-D00E
- OM-156, P/N:93-P6000-6010
- OM-170, P/N:93-P6000-E00E
- OM-185, P/N:93-P6000-8010
- OM-190, P/N:93-P6000-F00E
- OM-215, P/N:93-P6000-B010
- OM-215H, P/N:93-P6000-B10E
- OM-238, P/N:93-P6000-G010
- OM-270, P/N:93-P6000-H010
- OM-320, P/N:93-P6000-J00E
- OM-430, P/N:93-P6000-K00E

Optional Accessories

- Adapter
12V 60W power adapter
- Mounting kit (panel mount)

Specifications

Model	OM-070	OM-121	OM-150	OM-170	OM-190
Display					
Size	7"	12.1"	15"	17"	19"
Resolution	800 x 480	1024 x 768 (XGA)		1280 x 1024	
Aspect Ratio	5:3	4:3	4:3	5:4	5:4
Color	16.7M				
Brightness (Nits)	400 nits			300 nits	
Backlight Life (Hrs)	50,000				
Viewing Angle (U/D/R/L)	89/89/89/89	80/80/70/70	80/80/70/80	80/80/85/85	
Contrast Ratio	1300:1	700:1	800:1	1000:1	
Touchscreen	10-point, PCAP, Anti-fingerprint coating				
Bonding	Air Bonding				
I/O					
USB Port	USB type B (for touch)				
Video	HDMI x1, VGAX1				
Audio	w/o Audio				
Environmental					
Operating Temperature	-20°C to 70°C		-0°C to 60°C	0°C to 50°C	-20°C to 70°C
Storage Temperature	-20°C to 70°C		-10°C to 60°C	-20°C to 60°C	-20°C to 70°C
Humidity	10% to 80% @ 40°C (non-condensing)				
Surface Hardness	7H				
Vibration	Operating: 1G random 5 to 500Hz				
Shock	Operating: 20G acceleration part to part, 11ms				
IP Rating	Front IP65				
Power Input	DC-12V 5A Max.				
Power Consumption	3.7W	7.4W	8.1W	16W	
Mechanical					
N.W/G.W	0.9 kg/ 1.4 kg	2.02 kg/ 2.52 kg	2.8 kg/ 3.3 kg	3.5 kg/ 4.0 kg	4.5 kg/ 5.0 kg
Dimension (LWH/mm)	375x180x243mm	415x180x383mm	465x180x418mm	555x180x508mm	
Mounting	Panel mount only	VESA Mount (MIS-D 75mm x 75mm, 100mm x 100mm) Panel, and Wall mount			

Specifications

Model	OM-101	OM-156	OM-185	OM-215 OM-215H	OM-238	OM-270
Display						
Size	10.1"	15.6"	18.5"	21.5"	23.8"	27"
Resolution	1280 x 800	1920 x 1080				
Aspect Ratio	16:9					
Color	16.7M					
Brightness (w/ touch)	400 nits			400 nits / 1200 nits	200 nits	240 nits
Backlight Life (Hrs)	50,000			30,000		40,000
Viewing Angle (U/D/R/L)	89/89/89/89				85/85/85/85	
Contrast Ratio	800:1	1000:1			3000:1	
Touchscreen	10-point, PCAP, Anti-fingerprint coating					
Bonding	Air bonding					
I/O						
USB Port	USB type B (for touch)					
Video	HDMI x1, VGA x1					
Audio	w/o Audio					
Environmental						
Operating Temperature	-20°C to 70°C	0°C to 70°C	-20°C to 60°C	0°C to 50°C		
Storage Temperature	-20°C to 70°C			-20°C to 60°C		
Humidity	10% to 80% @ 40°C (non-condensing)					
Surface Hardness	7H					
Vibration	Operating: 1G random 5 to 500Hz					
Shock	Operating: 20G acceleration part to part, 11ms					
IP Rating	Front IP65					
Power Input	DC-12V 5A Max.					
Power Consumption	5.7 W	13.9 W	20 W	25.4 W	17.5 W	21.5 W
Mechanical						
Net Weight/ Gross Weight	1.6 kg /2.1 kg	2.9 kg/3.6 kg	4.2 kg /5.2 kg	4.8 kg /6.0 kg (5.1 kg /6.3 kg)	6.2kg /7.2kg	7.5kg /8.5kg
Packing Dimensions (H x W x D)	330x320x180mm	490x380x190mm	430x610x160mm	640x480x160mm	695x488x175mm	775x538x180mm
Mounting	VESA Mount (MIS-D 75mm x 75mm,100mm x 100mm) Panel, and Wall mount					

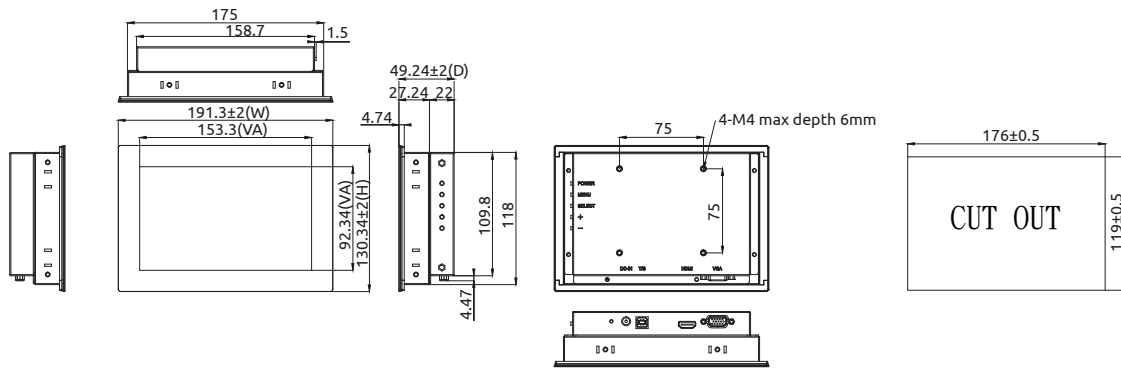
Specifications



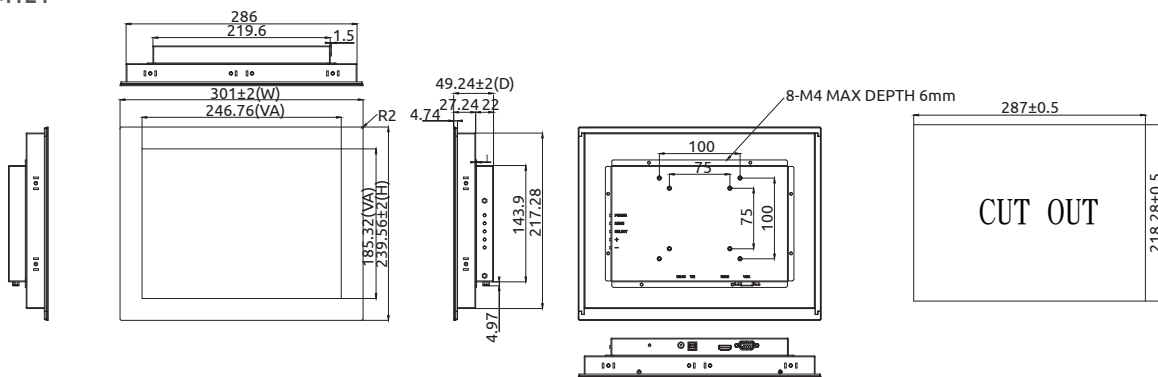
Model	OM-320	OM-430
Display		
Size	32"	43"
Resolution	1920 x 1080	
Aspect Ratio	16:9	
Color	16.7M	
Brightness (w/ touch)	400 nits	
Backlight Life (Hrs)	50,000	
Viewing Angle (U/D/R/L)	89/89/89/89	
Contrast Ratio	4000:1	
Touchscreen	10-point, PCAP, Anti-fingerprint coating	
Bonding	Air bonding	
I/O		
USB Port	USB type B (for touch)	
Video	HDMI x1, VGA x1, DVI x1, DP 1.2 x1	
Audio	w/o Audio	
Environmental		
Operating Temperature	0°C to 40°C	
Storage Temperature	-20°C to 60°C	
Humidity	10% to 90% (non-condensing)	
Surface Hardness	≥6H	
Vibration	Operating: 1.5G random 10 to 200Hz	
Shock	NA	
IP Rating	Front IP65	
Power Input	DC-24V 5A Max.	
Power Consumption	38.4 W	50.4 W
Mechanical		
Net Weight/ Gross Weight	14.2kg	23.5kg
Packing Dimensions (H x W x D)	630x920x160mm	800x1200x220mm
Mounting	VESA Mount 200 x 200 mm (M6), M4 Rear mount x 12	VESA Mount 200 x 200 mm (M6), M4 Rear mount x 8

Dimensions (4:3)

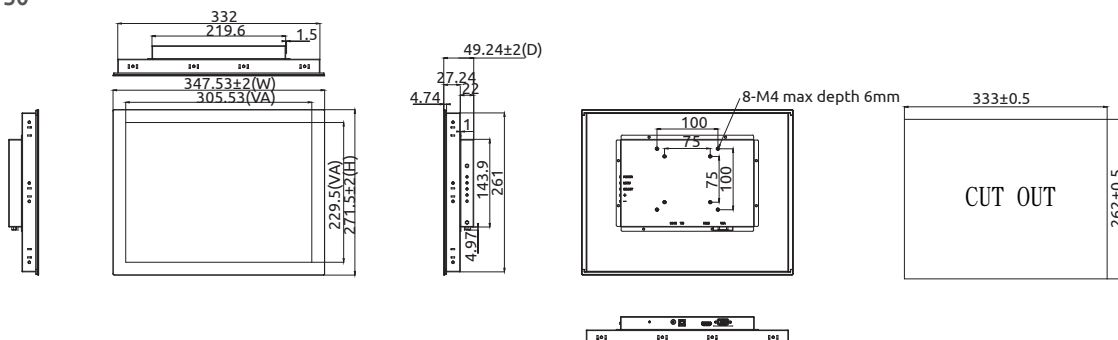
OM070



OM121

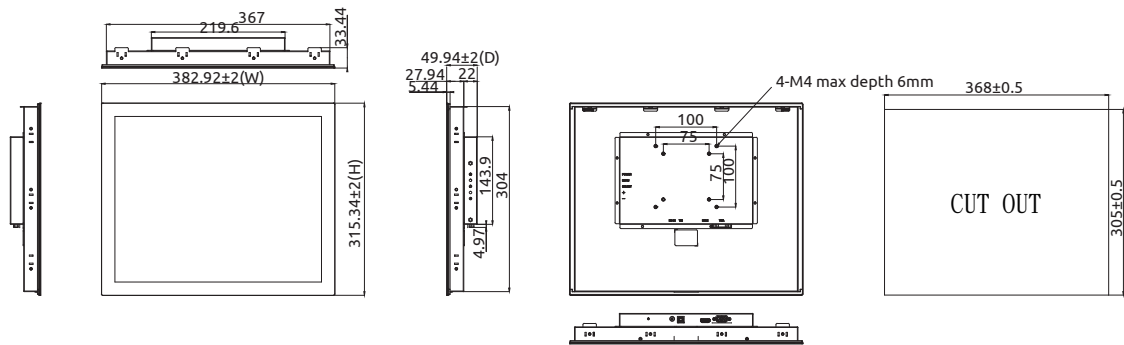


OM150

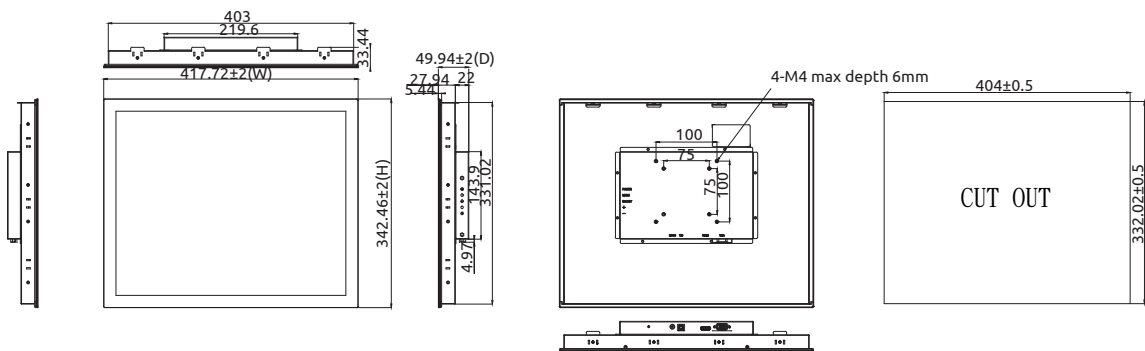


Dimensions (4:3)

OM170

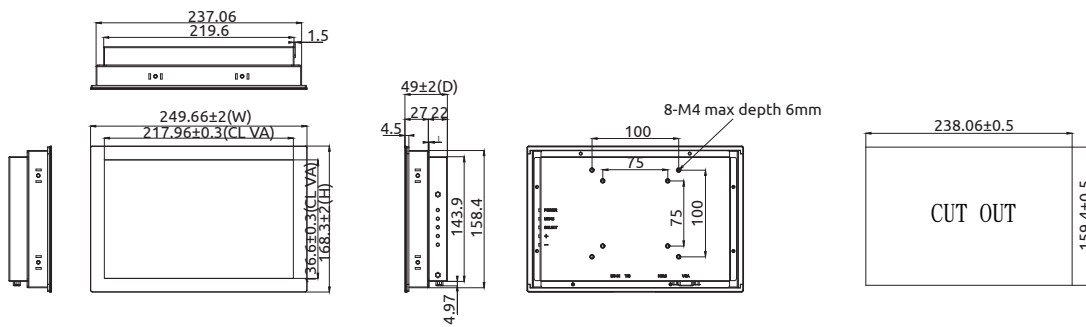


OM190

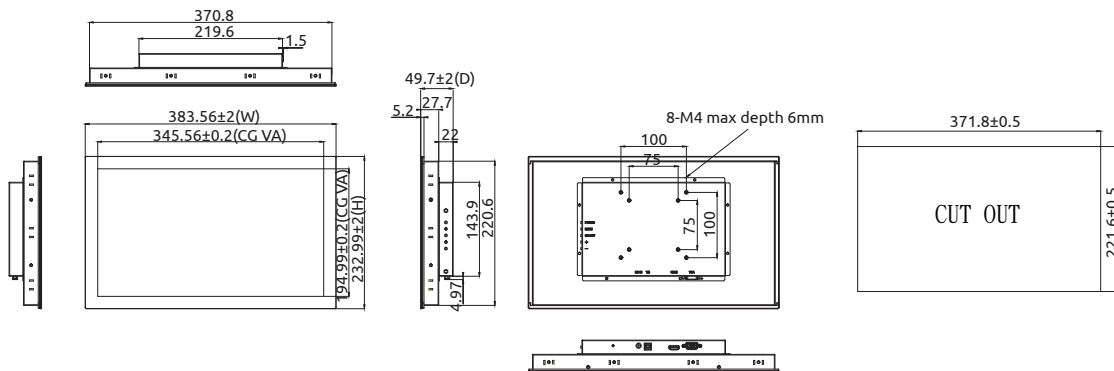


Dimensions (16:9)

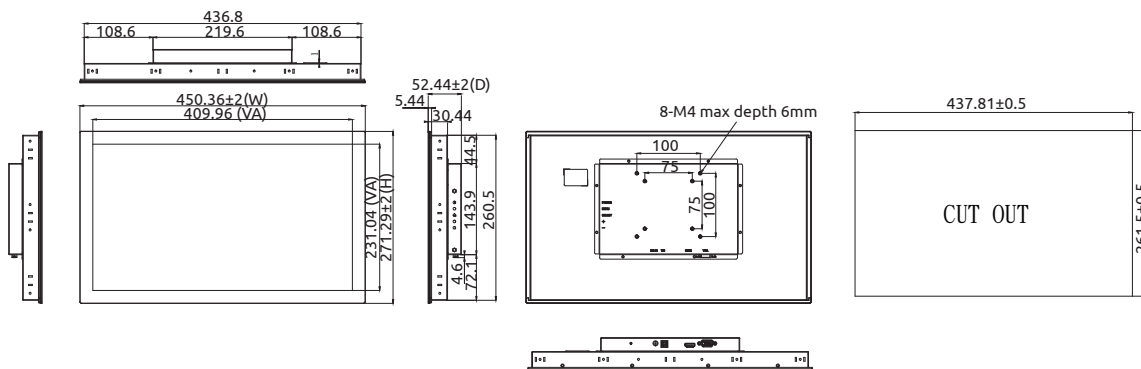
OM-101



OM-156

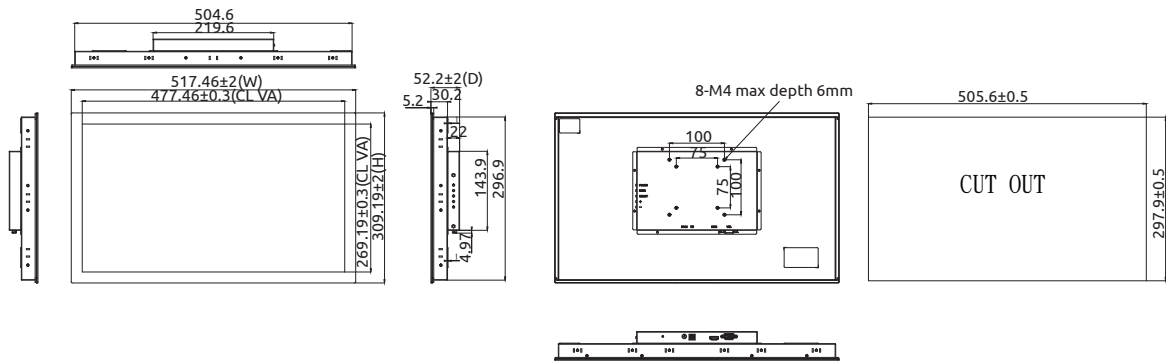


OM-185

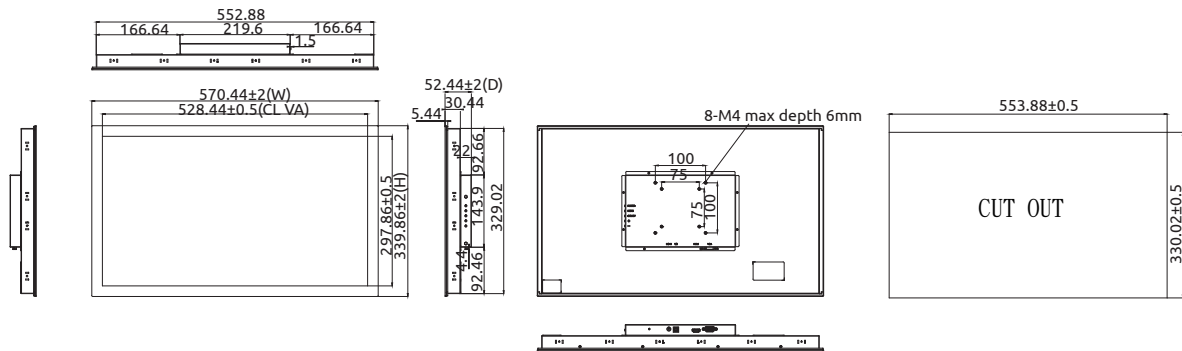


Dimensions (16:9)

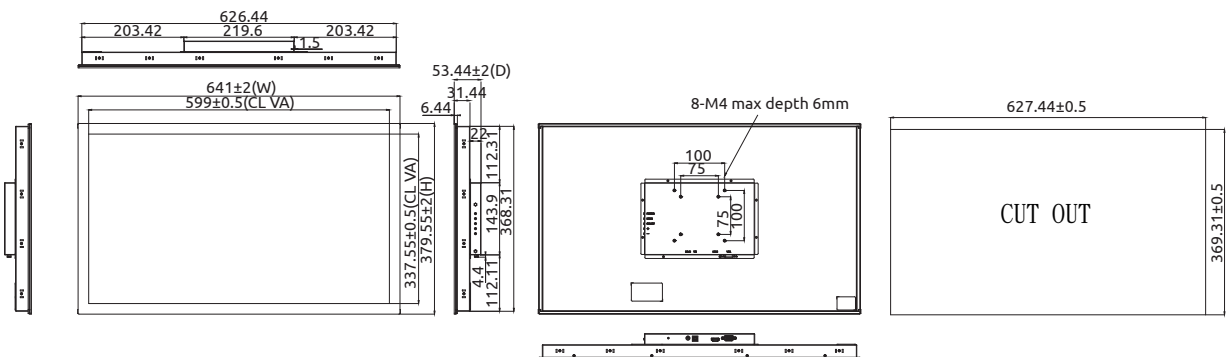
OM-215



OM-238

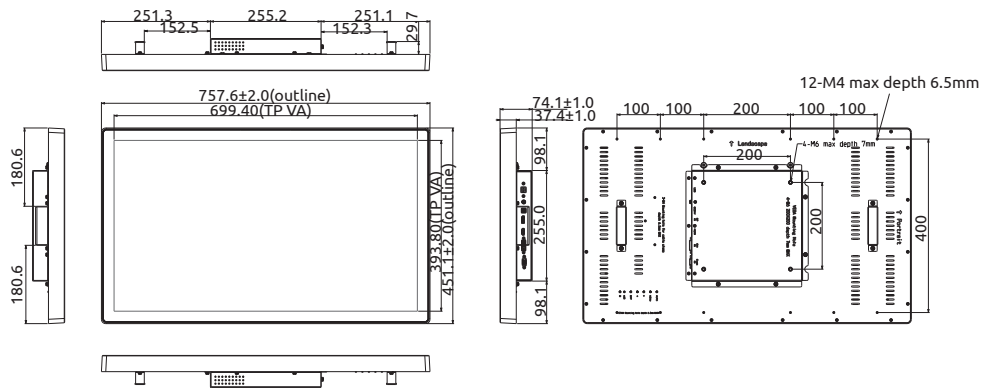


OM-270



Dimensions (16:9)

OM-320



OM-430

