

FM10E-V

10.4inch Windows Vehicle Mounted Computer with Intel® Elkhart lake x6425E



KEY FEATURES

- Intel® Elkhart lake x6425E Processor, Windows Vehicle Mounted Computer
- 10.4" 1024 x 768 Panel with PCAP touch screen
- IP65 waterproof and dustproof
- Wide power input 9-36V DC with ignition
- Wide range operating temperature
- Support VESA Mount



SPECIFICATIONS

Display	
Resolution	1024x768
Contrast Ratio	1200:1
View Angles	88,88,88,88
Touch Mode	With Stylus Support With Gloves Support
Size	10.4 inches
Panel Brightness	400 nits 800 nits(Optional)
Type	Projected Capacitive Multi Touch
System Specification	
Processor	Intel Elkhart Lake x6425E Processor , 2.0 GHz
Storage	128GB M.2 SSD 256GB M.2 SSD (Optional)
Operating System	Windows 10 IoT Enterprise
BT	Support
GNSS	GPS/GLONASS (Optional)
Memory	4GB SODIMM DDR4-3200 8GB SODIMM DDR4-3200 (Optional)
Security	TPM 2.0
WLAN	Support
WWAN	4G/LTE (Optional)
Sensors	G-Sensor, Light Sensor ,Temp Sensor
Camera	
Front Camera	2MP Camera
Environment	
Operating Humidity	5% to 90% RH, Non-Condensing
Storage Temperature	-30°C to 60°C
Vibration	MIL-STD-810H Method 514.8 Procedure I
Impact	Support EN62262 IK07 Rating
Operating Temperature	-30°C to 50°C
Shock	MIL-STD-810H Method 516.8 Procedure I
IP rating	IP65 Certified, Waterproof and Dustproof
ESD	Compliant with EN 61000-4-2, enhanced ESD to ±12kV direct & ±15kV air
Certification	
Certification	CE, FCC, UL60950-1, EN60950-1, PTCRB, FCC (Electromagnetic Emissions), IC (ICES-003)
Control	
Button	1 x Power Button, 6 x Function Button (Programmable Function Key Configured by Winset)
IO Ports	

USB Port	1 x USB Type-C 1 x USB 2.0 Type-A	Serial Port	2 x RS232/422/485 (Default RS232)
SD Card Slot	1 x Micro SD Card Slot	SIM Card Slot	1 x Dual-Nano SIM Card Slot
LAN	1 x Gigabit LAN port	Indicator	6 x LED Indicator (WLAN, BT, UPS battery, HDD, Screen Blanking, Heater)
DIDO	1 x DIDO (2XDI ; 2XDO) (Optional)	CANBUS	1 x CANBus (Optional)

Mechanical

Dimension	268.1 x 214 x 51 mm	Weight	2.4kg
Mounting	RAM Mount/ VESA Mount	Cooling System	Fanless Design

Security Function

SOTI MobiControl	SOTI MobiControl Compliance
-------------------------	-----------------------------

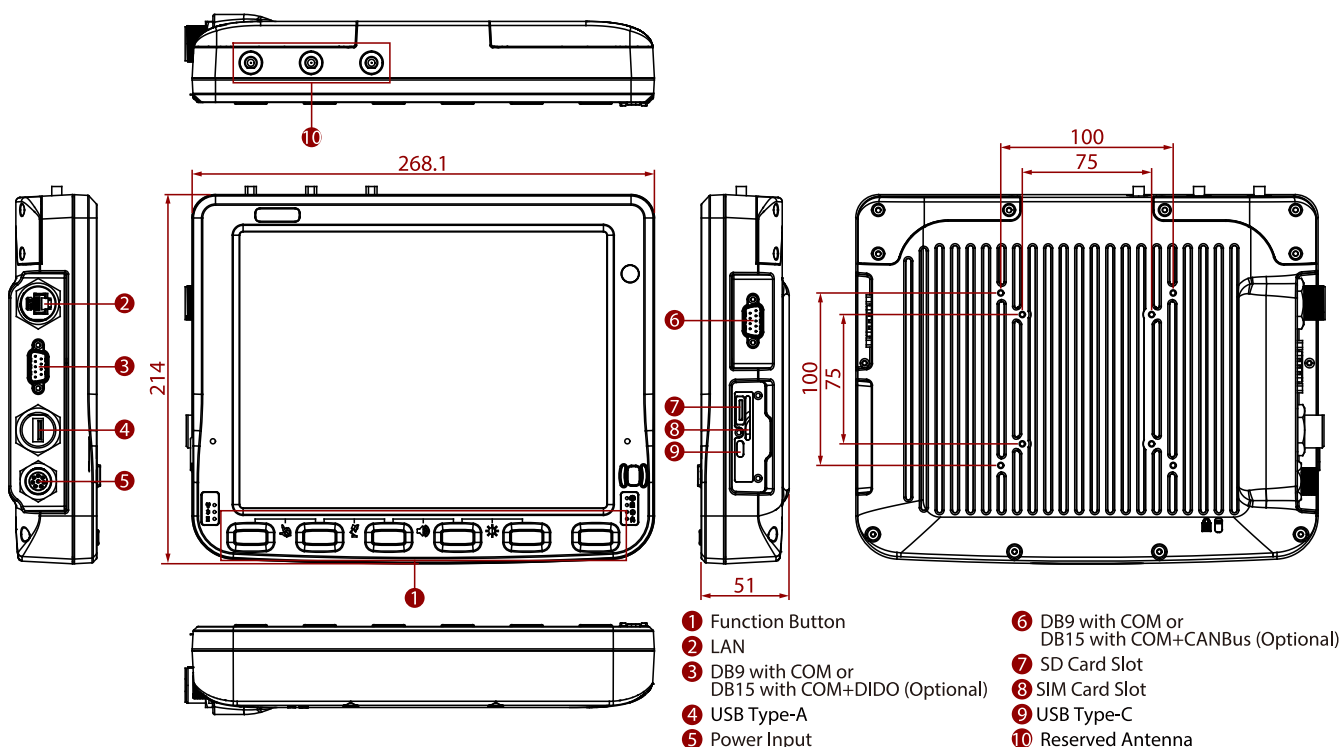
Accessory

Accessory	5M Power Cable with Fuse Kit 0.15M Power Converter Cable DC Jack Power Cable 84W Adapter with power cable Quick Start Guide Stylus Kit + Screw	Optional Accessory	1.8M RS232 Cable 2M IP65 LAN Cable GPS & LTE 2M Combo Antenna(VM240) GPS & LTE 5M Combo Antenna (VM9C) GPS & LTE Combo Antenna (VM10S) GPS Antenna WWAN Antenna 2M Waterproof USB Type-A to A Cable Cable Clamp Kit COM Port + CANBus Cable COM Port + DIDO Cable
------------------	---	---------------------------	---

Power

Battery	400mAh UPS Battery for 20 minutes backup (Optional)	Power Rating	9V~36V with ignition control
----------------	---	---------------------	------------------------------

DIMENSIONS UNIT:MM



NOTE

1. Total usable memory will be less dependent upon actual system configuration.
2. SOTI is available upon request.
3. Length measurements do not include protrusions. Weight varies with options.
4. Measured at dimming LCD brightness. Varies depending on the usage conditions, or when an external device is attached.
5. Accessories may vary depending on your configuration.
6. This is a simplified drawing and some components are not marked in detail.
7. The product shown in this datasheet is a standard model. For diagrams that contain customized or optional I/O, please contact the Winmate Sales Team for more information.