

VIO-219/PC300 series

19" SXGA Resistive / Capacitive Touch Thin Frame Panel PC with Intel® Core™ i5/i3 or Celeron® Processor



FEATURES

- 19" TFT SXGA 4:3 LCD with resistive 5-wire / projected capacitive touch
- Intel® Core™ processor i5-5350U, up to 2.9GHz / i3-5010U, 2.1GHz or Celeron® 3765U, 1.9GHz
- 1x 204-pin DDR3L SODIMM. max up to 8GB
- 1x 2.5" SATA HDD bay support RAID 0,1, 5, 2x mSATA, 2x SIM socket
- 2x full-size mini PCIe for communication or expansion modules
- 2x LAN, 1x VGA, 1x DisplayPort
- 4x RS-232/422/485 (w/ 2x internal), 3x USB 3.0, 1x USB 2.0, Audio, DIO
- 9 to 48VDC wide range power input
- -10°C to 50°C extended operating temperature
- Designed with aluminum die-casting front frame
- IP65 compliant front panel
- Two 10W internal speakers built-in
- Multi-language OSD built-in

Display

LCD Size	19" [4:3]
Max. Resolution	1280 x 1024 [SXGA]
Brightness (cd/m ²)	350 / 1000 [Optional]
Contrast Ratio	1000:1
LCD Color	16.7M
Pixel Pitch (mm)	0.294 (H) x 0.294 (V)
Viewing Angle (H-V)	170 / 160
Backlight MTBF	50000 hrs (LED Backlight)

Touch

Resistive 5-wire	VIO-219R/PC3xx
Projected Capacitive	VIO-219C/PC3xx

System

Processor	5 th Gen Intel® Core™ i5-5350U Processor, Dual Core, 3MB Cache, up to 2.9 GHz 5 th Gen Intel® Core™ i3-5010U Processor, Dual Core, 3MB Cache, 2.1 GHz 5 th Gen Intel® Celeron® Processor 3765U, Dual Core, 2MB Cache, 1.9 GHz
System Chipset	SoC integrated
LAN Chipset	GbE1: Intel® I210-AT (Support Wake-on-LAN and PXE) GbE2: Intel® I218-LM (Support Wake-on-LAN and PXE)
Audio Codec	Realtek ALC888S
System Memory	1x 204-Pin DDR3L 1333/1600MHz SODIMM. Max. up to 8GB
BIOS	AMI 128Mbit SPI BIOS
Watchdog	Software Programmable Supports 1~255 sec. System Reset

Storage

SSD/HDD	1x Removable 2.5" SATA HDD Bay Support RAID 0, 1, 5
mSATA	2x mSATA (Shared by 2x Mini PCI Express)
SIM Socket	2x External SIM socket

Expansion

Mini PCI Express	2x Full-size Mini PCIe
Model: VIO-219/PC311E	1x PCIe x4
Model: VIO-219/PC311P	1x PCI
Card Dimension	170 (L) x 112 (H) mm (VIO-219/PC311 only)

I/O

VGA	1x VGA (or 1x DVI-D by Order)
DisplayPort	1x DisplayPort
COM	2x RS-232/422/485 2x RS-232/422/485 (internal)

USB	3x USB 3.0, 1x USB 2.0
LAN	2x RJ45
Audio	1x Mic-in, 1x Speaker-out
DIO	4 in / 4 out (Isolated)
Universal I/O Bracket	1x Universal I/O Bracket (By mini PCIe interface) (VIO-219/PC311x only)
Others	3x WiFi Antenna Holes 1x Power Switch, 1x AT/ATX Switch, 1x Remote Power On/Off

Other Features

Internal Speaker	AMP 10W + 10W
OSD	LCD On/Off, Auto, Menu, Up and Down Multi-language

Operating System

Windows	Windows 10
Linux	Linux kernel 3.X

Power

Power Mode	AT, ATX
Power Supply Voltage	9~48VDC
Power Ignition Sensing	Power Ignition Management
Power Connector	3-pin Terminal Block
Power Adaptor	Optional AC/DC 12V/5A, 60W
Power Protection	OVP (Over Voltage Protection) OCP (Over Current Protection) Reverse Protection

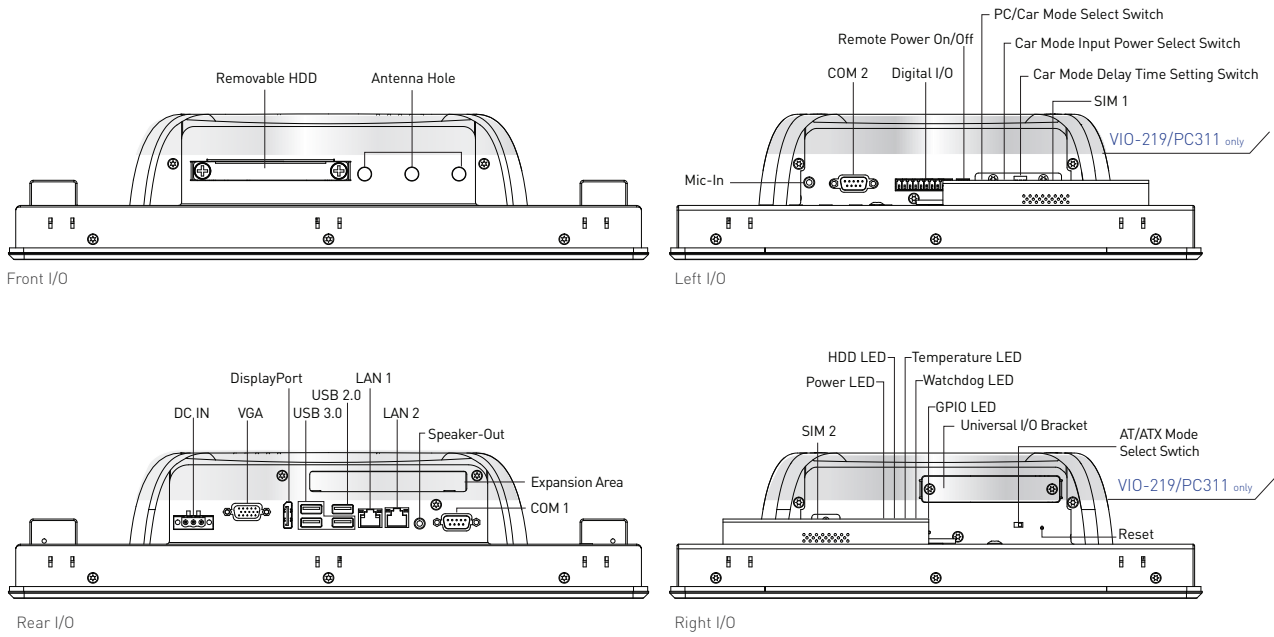
Environment

Operating Temp.	-10°C to 50°C
Storage Temp.	-20°C to 60°C
Relative Humidity	10% to 80% (non-condensing)
IP Level	IP 65 Compliant Front Panel
Vibration	With SSD: 1.5 Grms, 5 - 500 Hz, 0.5 hr/axis With HDD: 1 Grms, 5 - 500 Hz, 0.5 hr/axis
Shock	20G, half sine, 11ms
Standards / Certification	CE, FCC Class A

Physical

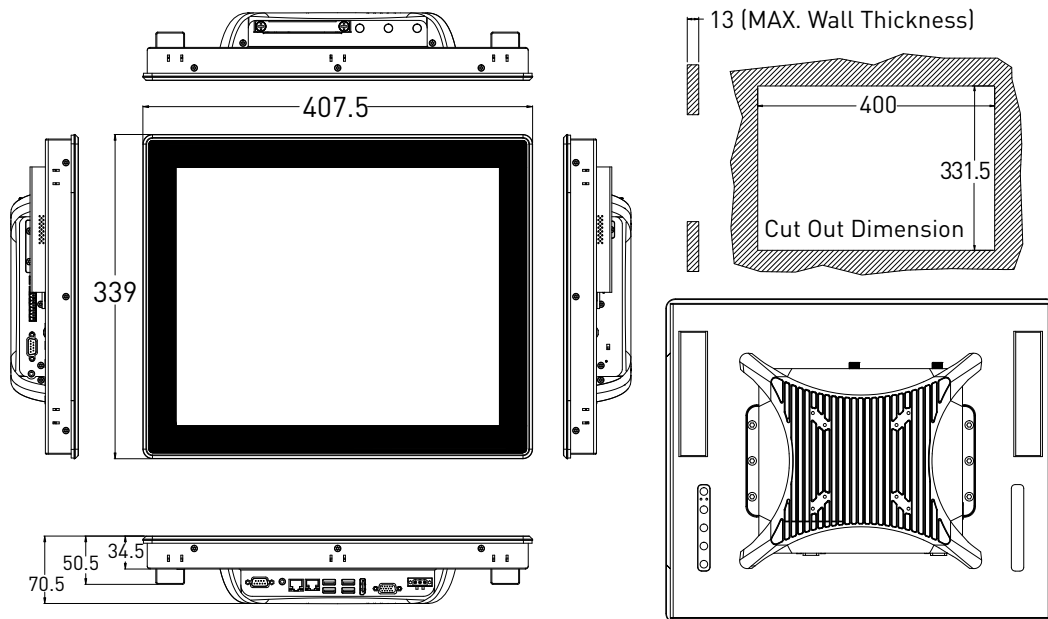
Front Panel Construction	Die-cast Flat Surface
Dimension	VIO-219/PC300: 450 (W) x 375 (D) x 71 (H) mm VIO-219/PC311x: 450 (W) x 375 (D) x 93 (H) mm
Weight	7.75 ~ 8.41 kg
Mounting	VESA Mounting Holes 75 x 75mm, 100 x 100mm

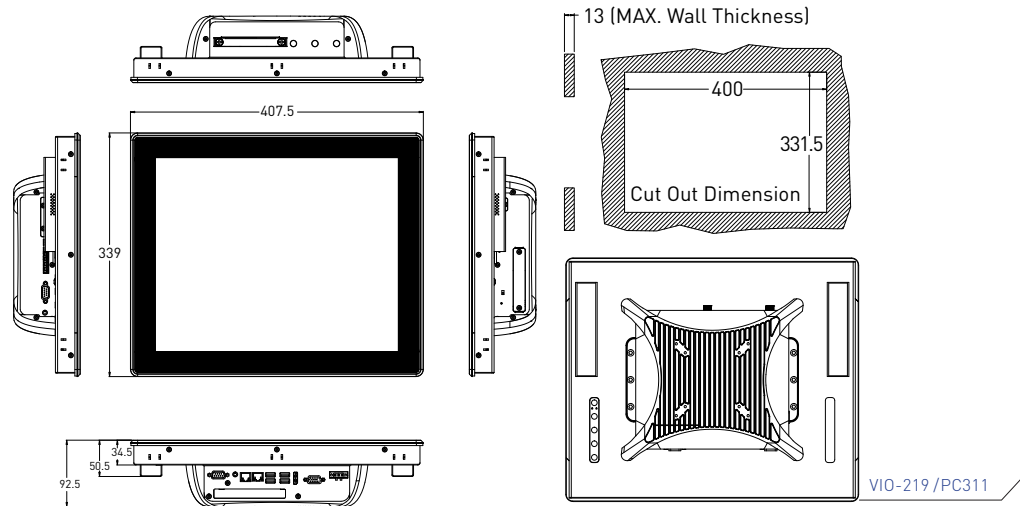
EXTERNAL I/O MECHANICAL LAYOUT



DIMENSION

Unit: mm





ORDERING INFORMATION

MODEL NO.	DESCRIPTION
1-E09A06007	Adapter AC/DC 12V 5A 60W with 3pin Terminal Block Plug 5.0mm Pitch
SFICBL022	Power Cord, 3-pin US Type, 180cm
1-TPCD00002	Power Cord, European Type
1-TPCD00001	Power Cord, 3-pin UK Type, 180cm

PACKING LIST

• 1x VIO-219/PC300 Series Panel PC
• 14x Panel Mount Kit
• 1x Utility DVD Driver
• 1x Screw Pack

AVAILABLE MODELS

MODEL NO.	DESCRIPTION
VIO-219R/PC300-5350U	19" SXGA Resistive Touch Thin Frame Panel PC with Intel® Core™ i5-5350U Processor
VIO-219C/PC300-5350U	19" SXGA Capacitive Touch Thin Frame Panel PC with Intel® Core™ i5-5350U Processor
VIO-219R/PC300-5010U	19" SXGA Resistive Touch Thin Frame Panel PC with Intel® Core™ i3-5010U Processor
VIO-219C/PC300-5010U	19" SXGA Capacitive Touch Thin Frame Panel PC with Intel® Core™ i3-5010U Processor
VIO-219R/PC300-3765U	19" SXGA Resistive Touch Thin Frame Panel PC with Intel® Celeron® 3765U Processor
VIO-219C/PC300-3765U	19" SXGA Capacitive Touch Thin Frame Panel PC with Intel® Celeron® 3765U Processor
VIO-219R/PC311E-5350U	19" SXGA Resistive Touch Thin Frame Panel PC with Intel® Core™ i5-5350U Processor, 1x PCIe x4 Expansion
VIO-219C/PC311E-5350U	19" SXGA Capacitive Touch Thin Frame Panel PC with Intel® Core™ i5-5350U Processor, 1x PCIe x4 Expansion
VIO-219R/PC311E-5010U	19" SXGA Resistive Touch Thin Frame Panel PC with Intel® Core™ i3-5010U Processor, 1x PCIe x4 Expansion
VIO-219C/PC311E-5010U	19" SXGA Capacitive Touch Thin Frame Panel PC with Intel® Core™ i3-5010U Processor, 1x PCIe x4 Expansion
VIO-219R/PC311E-3765U	19" SXGA Resistive Touch Thin Frame Panel PC with Intel® Celeron® 3765U Processor, 1x PCIe x4 Expansion
VIO-219C/PC311E-3765U	19" SXGA Capacitive Touch Thin Frame Panel PC with Intel® Celeron® 3765U Processor, 1x PCIe x4 Expansion
VIO-219R/PC311P-5350U	19" SXGA Resistive Touch Thin Frame Panel PC with Intel® Core™ i5-5350U Processor, 1x PCI Expansion
VIO-219C/PC311P-5350U	19" SXGA Capacitive Touch Thin Frame Panel PC with Intel® Core™ i5-5350U Processor, 1x PCI Expansion
VIO-219R/PC311P-5010U	19" SXGA Resistive Touch Thin Frame Panel PC with Intel® Core™ i3-5010U Processor, 1x PCI Expansion
VIO-219C/PC311P-5010U	19" SXGA Capacitive Touch Thin Frame Panel PC with Intel® Core™ i3-5010U Processor, 1x PCI Expansion
VIO-219R/PC311P-3765U	19" SXGA Resistive Touch Thin Frame Panel PC with Intel® Celeron® 3765U Processor, 1x PCI Expansion
VIO-219C/PC311P-3765U	19" SXGA Capacitive Touch Thin Frame Panel PC with Intel® Celeron® 3765U Processor, 1x PCI Expansion