

SIO-212-J1900

12.1" XGA Resistive / Capacitive Touch Stainless Steel Panel PC with Intel® Celeron® Processor J1900



FEATURES

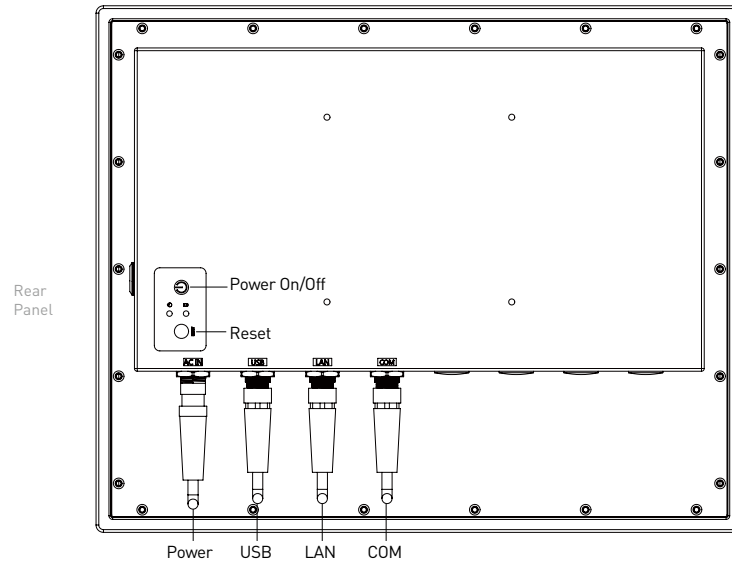
- 12.1" TFT XGA 4:3 LCD with resistive 5-wire / projected capacitive touch
- Intel® Celeron® processor J1900, 2.0 GHz
- 1x 4GB DDR3L SODIMM, 1x 64GB mSATA
- 1x M12 LAN, 2x USB 2.0, 1x M12 COM
- 1x Full-size Mini PCIe for expansion
- Support 110V to 240V AC power input
- -20°C to 60°C operating temperature
- Full system IP66/IP69K with Stainless Steel SUS316 construction

SPECIFICATIONS

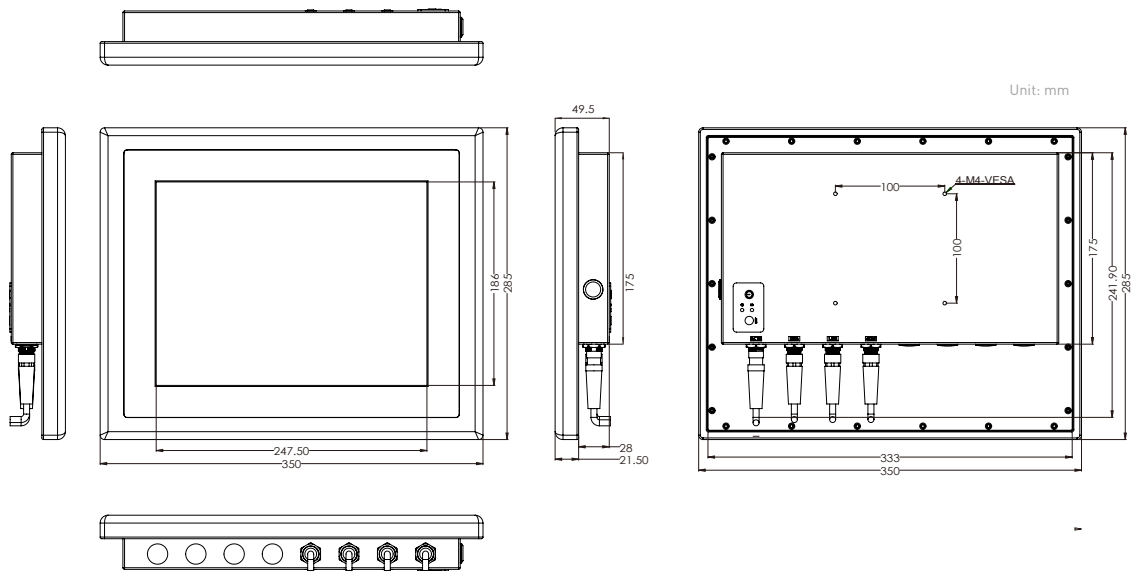
| Display | |
|---------------------------------|---|
| LCD Size | 12.1" [4:3] |
| Max. Resolution | 1024 x 768 |
| Brightness (cd/m ²) | 600 |
| Contrast Ratio | 1,000:1 |
| LCD Color | 16.2M |
| Pixel Pitch (mm) | 0.24 (H) x 0.24 (V) |
| Viewing Angle (H-V) | 178 / 178 |
| Backlight MTBF | 50000 hrs (LED Backlight) |
| Touch | |
| Resistive 5-wire | For SIO-212R-J1900 |
| Projected Capacitive | For SIO-212C-J1900 |
| System | |
| Processor | Intel® Celeron® Processor J1900, Quad Core, 2MB Cache, 2.0 GHz |
| System Chipset | SoC integrated |
| LAN Chipset | GbE1: Intel® I210-IT (Support Wake-on-LAN and PXE) GbE2: Intel® I210-IT (Support Wake-on-LAN and PXE) |
| Audio Codec | Realtek ALC886 |
| System Memory | 4GB DDR3L SODIMM |
| BIOS | AMI uEFI 8Mbit SPI BIOS |
| Watchdog | Software Programmable Supports 1-255 sec. System Reset |
| Storage | |
| mSATA | 64GB mSATA SSD |
| SIM Socket | 1x Internal SIM socket |
| Expansion | |
| Mini PCI Express | 1x Full-size Mini PCIe |
| I/O | |
| COM | 1x RS-232/422/485 by M12 A-Code 8-pin |
| USB | 2x USB 2.0 by M12 A-code 8-pin |
| LAN | 1x LAN by M12 X-Code 8-pin |
| Other I/O By Option | 1x Additional RS-232/422/485 by M12 A-Code 8-pin 2x Additional USB 2.0 by M12 A-Code 8-pin 1x Additional LAN by M12 X-Code 8-pin 2x WiFi Antenna |

| Other Features | |
|---------------------------|--|
| OSD | Power On/Off, Reset |
| Operating System | |
| Windows | Windows 10, Windows 7, WES7 |
| Linux | Linux kernel 3.X |
| Power | |
| Power Mode | ATX |
| Power Supply Voltage | 110 ~ 240V AC Input Optional 12V DC Input |
| Power Connector | M12 A-code 4-pin |
| Power Adaptor | Optional AC/DC 12V/5A, 60W Optional Waterproof Power Input Cable |
| Environment | |
| Operating Temp. | -20°C to 60°C |
| Storage Temp. | -20°C to 70°C |
| Relative Humidity | 10%-80% (non-condensing) |
| Vibration | With SSD: 2.4 Grms, 5 - 500 Hz, 0.5 hr/axis With HDD: 1 Grms, 5 - 500 Hz, 0.5 hr/axis |
| Shock | With SSD: 20G, half sine, 11ms |
| IP Level | Full System IP66/IP69K |
| Standards / Certification | CE, FCC Class B |
| Physical | |
| Front Panel Construction | Stainless Steel SUS316 |
| Dimension | 350 (W) x 285 (H) x 49.5 (D) mm |
| Weight | TBC |
| Mounting | VESA Mounting Holes 100 x 100mm Optional Yoke Mount, Panel Mount |

EXTERNAL I/O MECHANICAL LAYOUT



DIMENSION



ORDERING INFORMATION

| MODEL NO. | DESCRIPTION |
|-------------|--|
| 1-E09A06007 | Adapter AC/DC 12V 5A 60W with 3pin Terminal Block Plug 5.0mm Pitch |
| 1-TXXX00003 | Waterproof Power Input Cable 1.5M |
| 1-TUSB00015 | Waterproof USB 2.0 Cable 1.5M |
| 1-TCOM00011 | Waterproof COM Cable 1.5M |
| 1-TLAN00006 | Waterproof LAN Cable 1.5M |

PACKING LIST

- 1x SIO-212 Series Stainless Steel Panel PC
- 1x Utility DVD Driver
- 1x Waterproof Connector Cover Set

AVAILABLE MODELS

| MODEL NO. | DESCRIPTION |
|----------------|--|
| SIO-212R-J1900 | 12.1" XGA Resistive Touch Stainless Steel Panel PC with Intel® Celeron® Processor J1900 |
| SIO-212C-J1900 | 12.1" XGA Capacitive Touch Stainless Steel Panel PC with Intel® Celeron® Processor J1900 |