

AI Inference / DeviceEdge

Jetson System AIE-CN12/AIE- CN22/AIE-CT42

Features

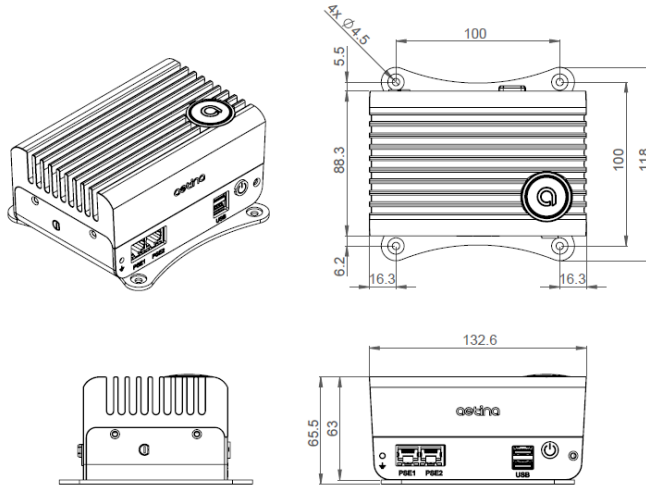
- Support NVIDIA Jetson Module at Jetson Xavier™ NX and NVIDIA® Jetson™ TX2 NX
- DC 12~19V power input
- 1 x GbE LAN port and 2 x PSE/PD port
- Built-in M.2 M-key 2242 NVMe 128G SSD and support M.2 E-key 2230 for Wifi/BT Function
- Operating temperature range from -20°C~50°C
- Fanless and compact design



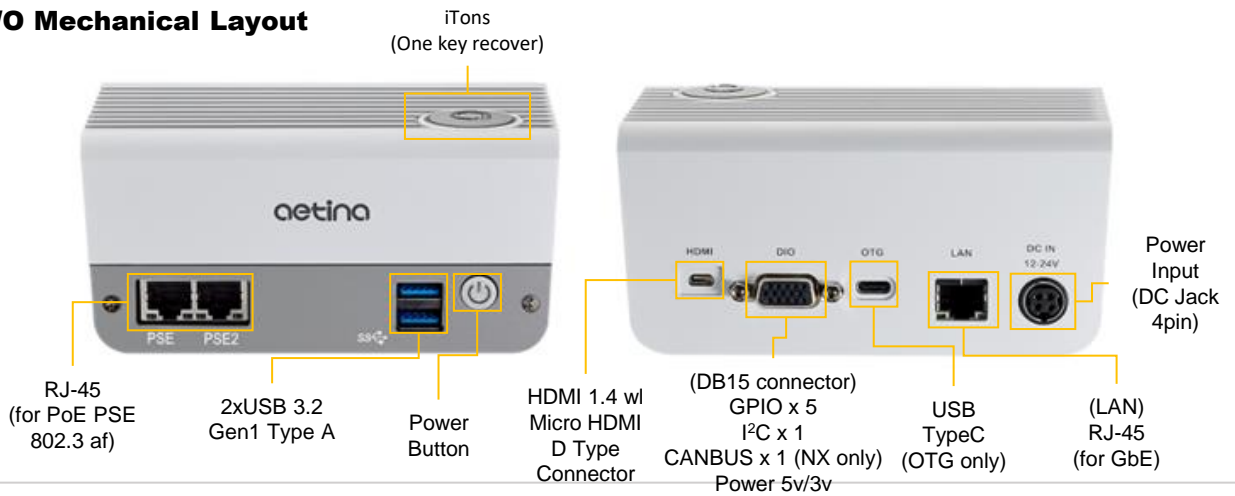
Specifications

Model Number	AIE-CN12	AIE-CN22	AIE-CT42
Module Compatibility	Nvidia Jetson Xavier NX 8G / 16G		Nvidia Jetson TX2 NX
Storage	16GB eMMC 5.1 Flash		
Display	1 x HDMI 2.0 With Micro HDMI D Type Connector		
Audio	HDMI Integrated		
LAN	3 x RJ-45 for GbE Port (2 for PoE PSE 802.3 af)		
USB	2 x USB 3.2 Gen1 Type A 1 x USB Type-C (OTG Only)		
I/O Interfaces	5 x GPIO, 1 x UART, 1 x I ² C, 1 x CAN Bus		
Expansion	1 x M.2 M-key 2242 : NVMe 128G SSD (Build-in) 1 x M.2 E-key 2230 : Wifi/BT GPS Function		
MISC. Function	1 x AI Button (iTons) 1 x Power Button 1 x Recovery Button 1 x Reset Button		
Power Input /Connector	DC-in 12V~19V / DC Jack 4 Pin		
Power Consumption	Idle: 3.29W (Connect With Keyboard, Mouse and HDMI Display) Full Loading: 26.76W (Connect with keyboard, mouse and HDMI display with CPU and GPU 100% loading)		
Dimension(Wx Dx H)	132.6 x 88.7 x 63.6mm		
Mounting	VESA Mount / Din Rail (Optional)		
Net Weight	970g		
Vibration	1 Grms, IEC 60068-2-64, random, 5 ~ 500 Hz, 1 hr/axis		
Shock	10 G, IEC 60068-2-27, half sine, 11 ms duration		
Temperature	Operating Temperature: -20°C ~ +50°C Storage Temperature: -40°C ~ +85°C		
Humidity	5 to 90% @ 40°C Related Humidity, Non-condensing		
OS Support	Ubuntu 18.04		
Certification	CE/FCC Class A		

System & Mounting Dimensions



I/O Mechanical Layout



Ordering Information

Model name	Description
AIE-CN12-1-A1	AIE-CN12 Fanless system with Jetson Xavier NX 8G including DB15 Cable, 128G SSD, -20°C to +50°C
AIE-CN22-1-A1	AIE-CN22 Fanless system with Jetson Xavier NX 16G including DB15 Cable, 128G SSD, -20°C to +50°C
AIE-CT42-1-A1	AIE-CT42 Fanless system with Jetson TX2 NX including DB15 Cable, 128G SSD, -20°C to +50°C

Packing List

Part No.	Description
43-060000-0001	MINI M2 SERIES : AIE-CN12/AIE-CN22/AIE-CT42 Quick Start Guide
43-0Z0000-0000	Safety Manual
32-010000-0005	US POWER CORD
32-010000-0006	EU POWER CORD
	*Select one according to use of territory
53-0F0000-0003	Power Adapter 90~264V 60W 12V 5A BLACK - 30~70°C
32-050000-000A	HDMI TYPE-D MALE TO TYPE-A FEMALE CABLE 100mm +/-8mm BLACK
32-050000-0025	I/O CABLE (UART+I2C+GPIO+CANBUS)
35-0A0000-0001	Mounting Bracket 118*118*2.5mm AL5052 Gray

Peripheral (Optional)

<https://www.aetina.com/wp-content/uploads/Datasheet/Aetina%20Peripherals%20List%20for%20Jetson%20Platforms%26Systems.pdf>

