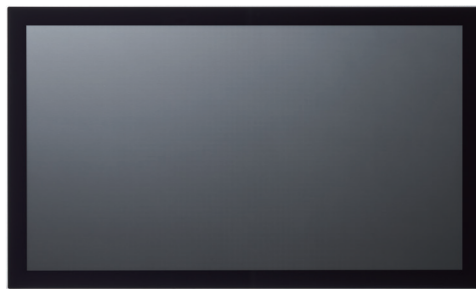


IM Series

True Flat
Industrial Touch Monitor



Features

- 21.5" / 23.8" / 27.0" 16:9 LCD panel with LED backlight with up to 50,000 hour service life
- 10-point PCAP touchscreen
- Anti-fingerprint surface treatment for ease of cleaning and enhanced readability
- Wide viewing angles support for both portrait and landscape modes
- IP rating for water and dust protection

Ordering Information

- IM-215, P/N:93-P7000-B010
- IM-215H, P/N:93-P7000-B310
- IM-238, P/N:93-P7000-G010
- IM-270, P/N:93-P7000-H010

Optional Accessories

- Adapter
12V 60W power adapter

Specifications

Model	IM-215	IM-238	IM-270
Display			
Size	21.5"	23.8"	27"
Resolution (Max.)	1920 x 1080		
Aspect Ratio	16:9		
Color	16.7M		
Brightness (w/ touch)	400 nits	200 nits	240 nits
Backlight Life (Hrs)	30,000		40,000
Viewing Angle (U/D/R/L)	89/89/89/89	85/85/85/85	
Contrast Ratio	1000:1	3000:1	
Touchscreen	10-point, PCAP, Anti-fingerprint coating		
Bonding	Air bonding		
I/O			
USB Port	USB type B(for touch)		
Video	HDMI x1, VGA x 1		
Audio	w/o Audio		
Environmental			
Operating Temperature	0°C to 60°C	0°C to 50°C	
Storage Temperature	-20°C to 60°C		
Humidity	10% to 80% @ 40°C (non-condensing)		
Surface Hardness	7H		
Vibration	Operating: 1G random 5 to 500Hz		
Shock	Operating: 20G acceleration part to part, 11ms		
IP Rating	Front IP65		
Certifications & Compliance	CE/FCC/BSMI	CE/FCC	
Power Input	DC-12V 5A Max.		
Power Consumption	25.4W	18W	24W
Mechanical			
Net Weight/ Gross Weight	5.0 kg / 6.2 kg	6.85 kg / 7.45 kg	8.26 kg / 8.86 kg
Packing Dimensions (H x W x D mm)	640 x 480 x 160	695 x 488 x 175	775 x 538 x 180
Mounting	VESA Mount, MIS-D 75mm x 75mm, 100mm x 100mm (Standard)		

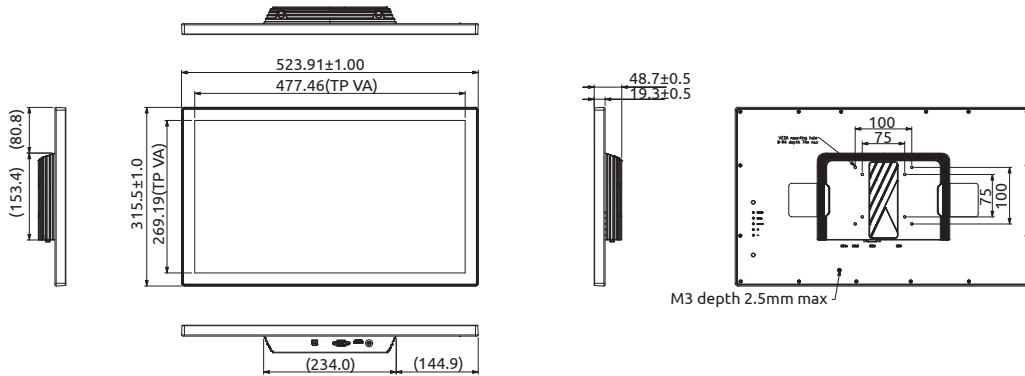
Specifications (High Brightness Model)

Model	IM-215H
Display	
Size	21.5"
Resolution (Max.)	1920 x 1080
Aspect Ratio	16:9
Color	16.7M
Brightness (w/ touch)	1200 nits
Backlight Life (Hrs)	50,000
Viewing Angle (U/D/R/L)	89/89/89/89
Contrast Ratio	3000:1
Touchscreen	10-point, PCAP, Anti-fingerprint coating
Bonding	Air bonding
I/O	
USB Port	USB type B (for touch)
Video	HDMI x1, VGA x1
Audio	w/o Audio
Environmental	
Operating Temperature	-20°C to 70°C
Storage Temperature	-20°C to 70°C
Humidity	10% to 80% @ 40°C (non-condensing)
Surface Hardness	7H
Vibration	Operating: 1G random 5 to 500Hz
Shock	Operating: 20G acceleration part to part, 11ms
IP Rating	Front IP65
Certifications & Compliance	CE/FCC
Power Input	DC-12V 5A Max.
Power Consumption	41.2 W
Mechanical	
Net Weight/ Gross Weight	5 kg /6.2 kg
Packing Dimensions (H x W x D mm)	640 x 480 x 160
Mounting	VESA Mount, MIS-D 75mm x 75mm, 100mm x 100mm (Standard)

Dimensions

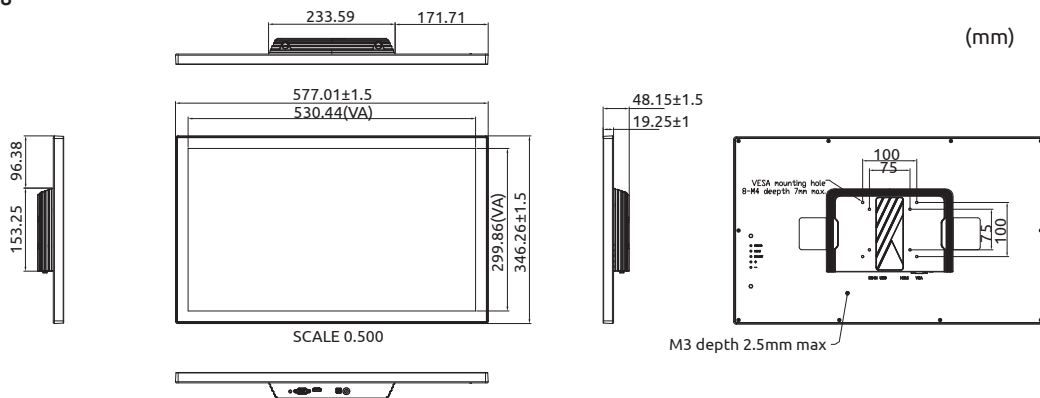
IM-215 & IM-215H

(mm)



IM-238

(mm)



IM-270

(mm)

